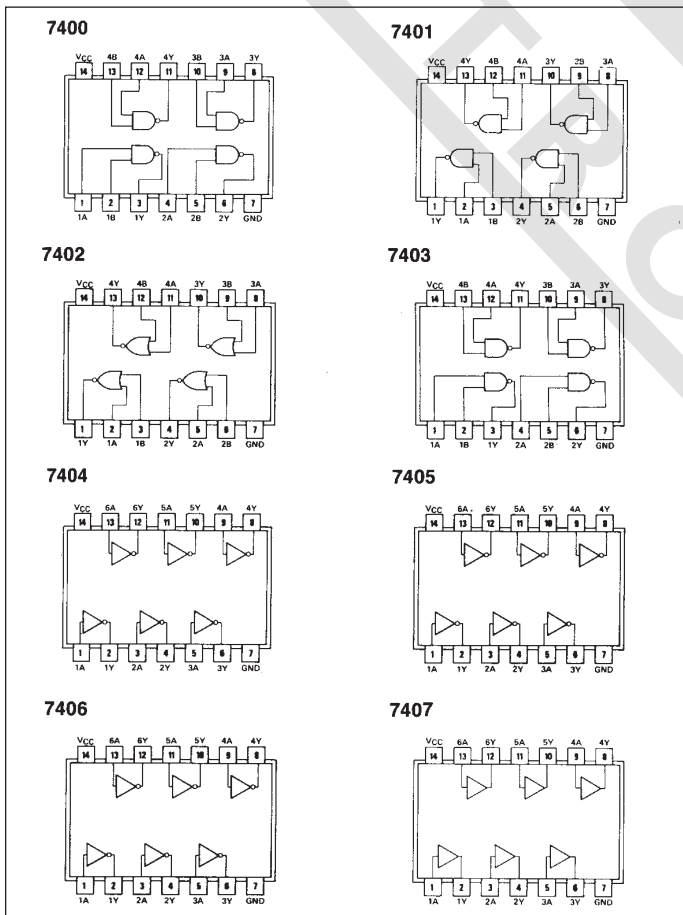


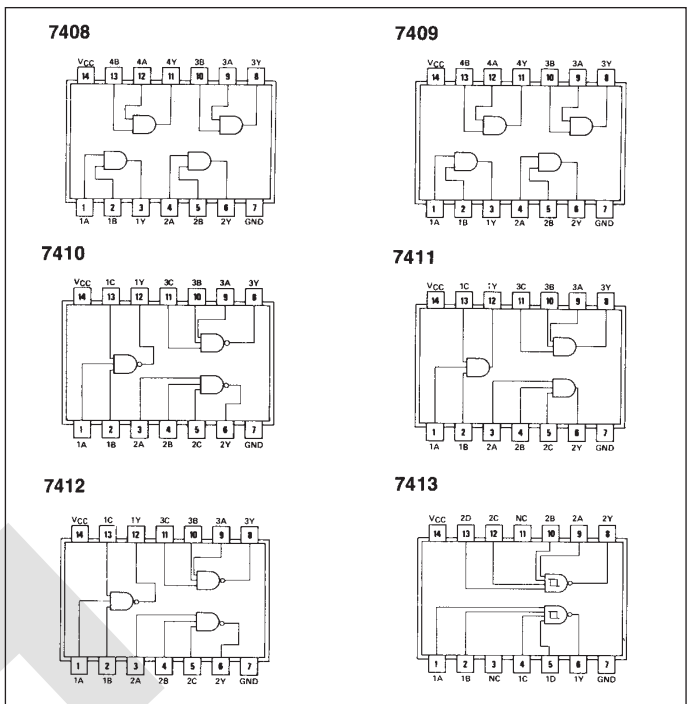
TTL standaard serie

TTL groep 100.xxxx leverbaar zolang de voorraad strekt. Als alternatief gebruikt men groep 101.xxxx (serie LS). Enkele typen zijn niet of slecht leverbaar in LS; deze blijven we leveren als standaard TTL. Dat zijn 7406, 7407 en 74121.

art.nr.	typenr.	omschrijving	brutoprijs in fl.
100.0400	7400	OUAD 2 NAND	
100.0401	7401	OUAD 2 NAND	
100.0402	7402	OUAD 2 NOR	
100.0403	7403	OUAD 2 NAND	
100.0404	7404	HEX INVERTER	
100.0405	7405	HEX INVERTER	
100.0406	7406	HEX INV BUFF/DRIVER	
100.0407	7407	HEX BUFF/DR. 30V OUT	
100.0408	7408	OUAD 2 INPUT AND	
100.0409	7409	OUAD 2 INPUT AND	
100.0410	7410	TRIPLE 3 INPUT NAND	
100.0411	7411	TRIPLE 3 INPUT NAND	
100.0412	7412	TRIPLE 3 INPUT NAND	
100.0413	7413	DUAL 4 SCHMITT NAND	
100.0414	7414	HEX SCHMITT INVERTER	
100.0416	7416	HEX INV BUFF/DR. 15V	
100.0417	7417	HEX BUFF/DRIVER 15V	
100.0420	7420	DUAL 4 INPUT NAND	
100.0421	7421	DUAL 4 INPUT AND	
100.0422	7422	DUAL 4 INPUT NAND	
100.0423	7423	DUAL 4 EXPAND. NOR	
100.0425	7425	DUAL 4 NOR + STROBE	
100.0426	7426	OUAD 2 INPUT NAND	
100.0427	7427	TRIPLE 3 INPUT NOR	
100.0428	7428	OUAD 2 INPUT NOR	
100.0430	7430	SINGLE 8 INPUT NAND	
100.0432	7432	QUAD 2 INPUT OR	
100.0433	7433	OUAD 2 NOR BUFFER	
100.0437	7437	OUAD 2 NAND BUFFER	
100.0438	7438	OUAD 2 NAND BUFFER	
100.0439	7439	OUAD 2 NAND BUFFER	



Afbeeldingen gelden ook voor TTL-LS, L, C, HCT en HC serie.



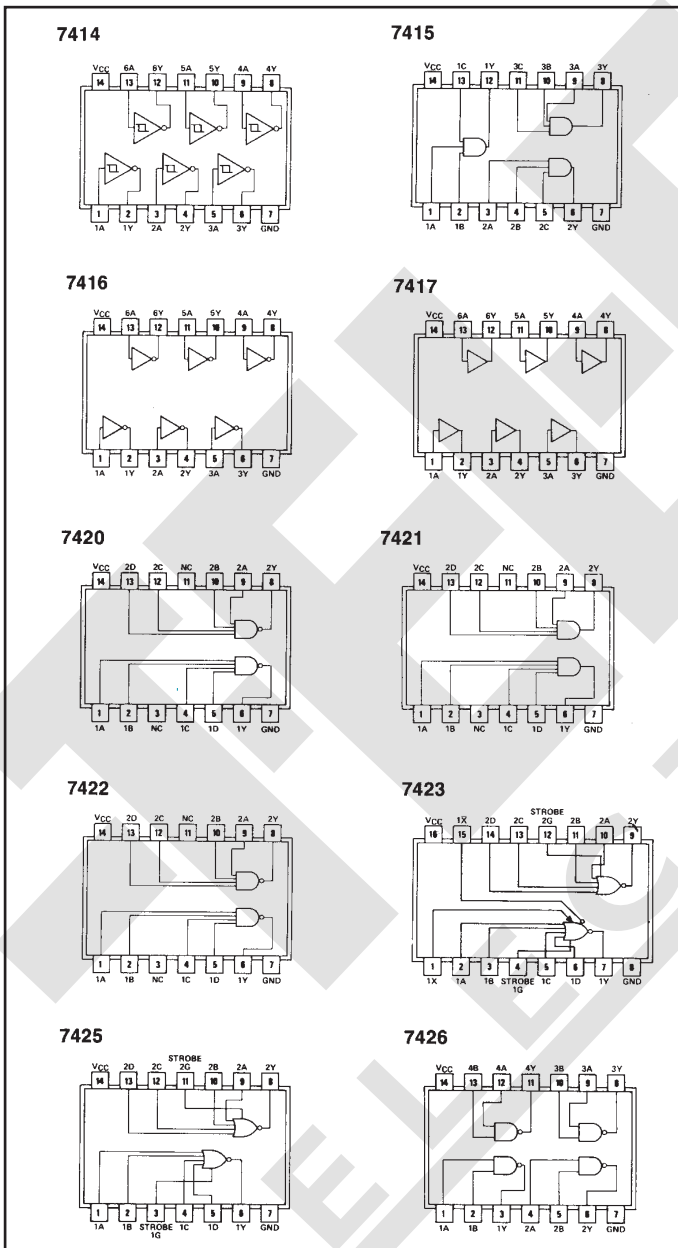
Afbeeldingen gelden ook voor TTL-LS, L, C, HCT en HC serie.

art.nr.	typenr.	omschrijving	brutoprijs in fl.
100.0440	7440	DUAL 4 NAND BUFFER	
100.0441	7441	BCD TO DECIM DECIDR	
100.0442	7442	BCD TO DEC	
100.0443	7443	EXCESS 3/ DECI DEC.	
100.0444	7444	EXC 3 GRAY / DECI DEC	
100.0445	7445	BCD TO DECI DEC 30V	
100.0446	7446	BCD TO 7 SEGM DR 30V	
100.0447	7447	BCD TO 7 SEGM DR 15V	
100.0448	7448	BCD - 7 SEGM DEC/DR	
100.0449	7449	BCD - 7 SEGM DEC/DR	
100.0450	7450	DUAL 2 2 AND OR INV.	
100.0451	7451	DUAL AND OR INVERT	
100.0453	7453	4 W AND OR EXP INV	
100.0454	7454	4 W. AND OR INVERTER	
100.0455	7455	2 W. 4 INP AND OR INV	
100.0460	7460	DUAL 4 INP EXPANDER	
100.0470	7470	AND GATE JK-FF	
100.0472	7472	AND JK-MS-FF P+C	
100.0473	7473	DUAL JK-FF +CLEAR	
100.0474	7474	DUAL D-TYPE FLIPFLOP	
100.0475	7475	OUAD BIST LATCH	
100.0476	7476	DUAL JK-FF P+C	
100.0480	7480	GATED FULL ADDER	
100.0481	7481	16 BIT RAM	
100.0482	7482	2 BIT BIN FULL ADDER	
100.0483	7483	4 BIT BIN FULL ADDER	
100.0484	7484	16 BIT RAM	
100.0485	7485	4 BIT MAG. COMP.	
100.0486	7486	OUAD 2 EXOR	
100.0489	7489	64-BIT RAM	
100.0490	7490	/2-/5 DECADE COUNT.	
100.0491	7491	8-BITSHIFTREGISTER	
100.0492	7492	/2-/6 COUNTER	
100.0493	7493	4-BIT BIN COUNTER	
100.0494	7494	4-BIT SHIFT REGISTER	
100.0495	7495	4-BIT SHIFT REGISTER	
100.0496	7496	5-BIT SHIFT REGISTER	
100.0497	7497	SYNC 6-BIT RATE MLTPL	
100.4100	74100	DUAL QUAD LATCH	
100.4104	74104	GATED JK-FFP+C	

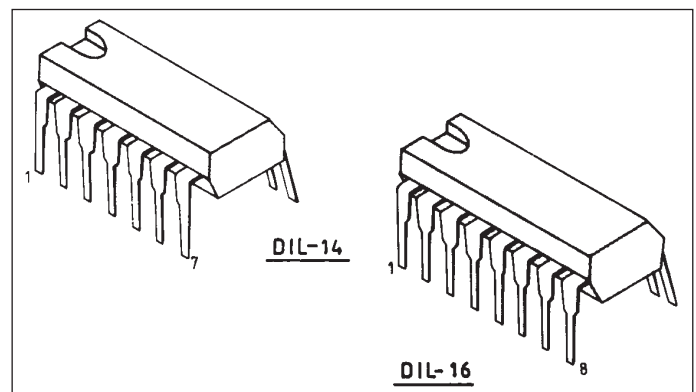
TTL groep 100.xxxx leverbaar zolang de voorraad strekt. Als alternatief gebruikt men groep 101.xxxx (serie LS). Enkele typen zijn niet of slecht leverbaar in LS; deze blijven we leveren als standaard TTL. Dat zijn 7406, 7407 en 74121.

art.nr.	typenr.	omschrijving	bruto prijs in fl.
100.4105	74105	GATED JK-FF+C	
100.4107	74107	DUAL JK-FF + CLEAR	
100.4109	74109	DUAL JK-FF P+C	
100.4110	74110	AND JK-MS-FF DLO	
100.4111	74111	DUAL JK-FF DLO	
100.4115	74115	DUAL GATED JK-FF	
100.4116	74116	DUAL 4-BIT LATCH	
100.4119	74119	RS FLIPFLOP + CLEAR	
100.4120	74120	DUAL PULSE SYNC/DR	
100.4121	74121	MONOST.MULTVIBR.	
100.4122	74122	RETR. MST MVIBR-C	
100.4123	74123	DUAL RETR. MST MVIB.	
100.4125	74125	QUAD BUS BUFFER	
100.4126	74126	OUAD BUS BUFFER	

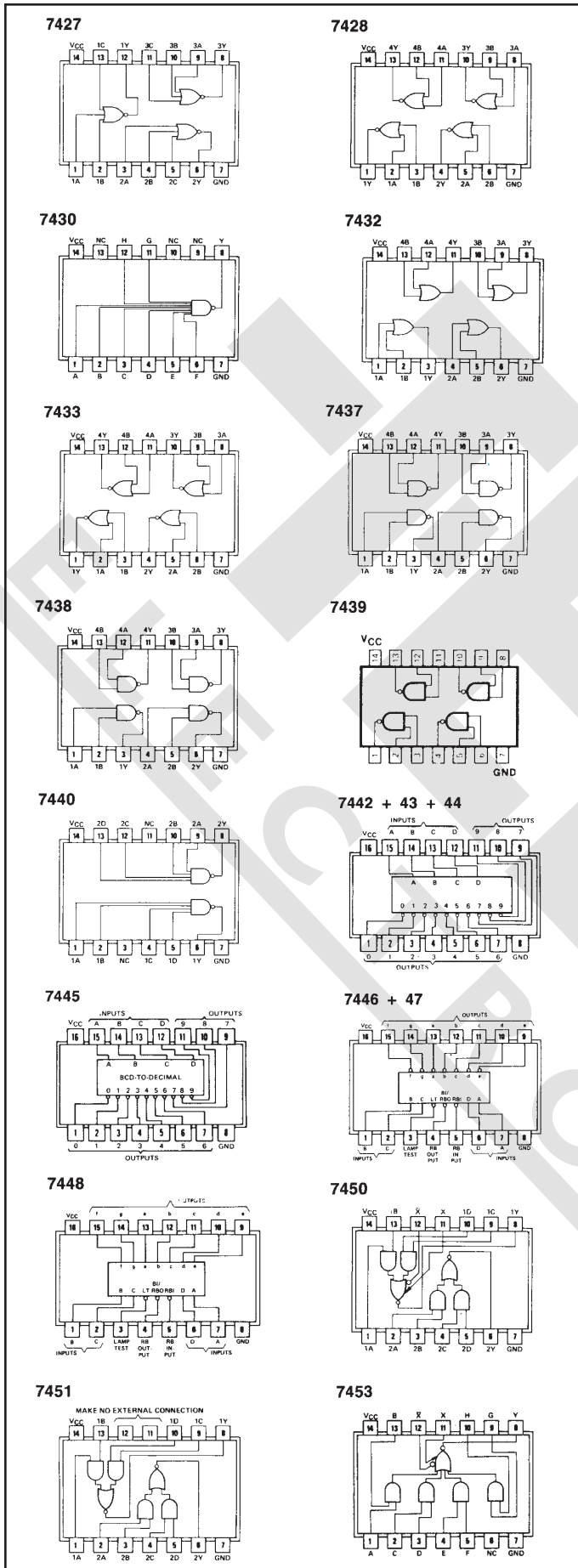
art.nr.	typenr.	omschrijving	bruto prijs in fl.
100.4128	74128	OUAD 2 NOR BUFFER	
100.4132	74132	OUAD2NANDSCHMITT	
100.4136	74136	OUAD XOR GATE	
100.4141	74141	BCD TO DEC DCDR/DR	
100.4142	74142	CNTR LATCH DCDR/DR	
100.4143	74143	CNTR LATCH DCDR/DR	
100.4144	74144	CNTR LATCH DCDR/DR	
100.4145	74145	BCD TO DEC DCDR/DR	
100.4147	74147	10 TO 4 PR/ENC.	
100.04148	74148	8 TO 3 PR/ENC.	
100.4150	74150	1 OF 16 SEL/MLTPLXR	
100.4151	74151	1 OF 8 SEL/MLTPXR	
100.4153	74153	DUAL 4-1 SEL/MLTPXR	
100.4154	74154	4 TO 16 DMLTPLXR	
100.4155	74155	2 TO 4 DMLTPXR	
100.4156	74156	2 TO 4 DMLTPLXR	
100.4157	74157	OUAD 2-6 DMLTPLXR	
100.4159	74159	4 TO 16 DMLTPLXR	
100.4160	74160	4 BIT CNTR DEC DC	
100.4161	74161	4 BIT BIN DEC DC	
100.4162	74162	4 BIT DEC SYNC C	
100.4163	74163	4 BIT BIN SYNC C	
100.4164	74164	8 BIT SHIFTREG SIPO	
100.4165	74165	8 BIT SHIFTREG PISO	
100.4166	74166	8 BIT SHIFTREG PISO	
100.4167	74167	SYNC DEC RATEMLTPLR	
100.4170	74170	4 BY 4 REG FILE	
100.4172	74172	16 BIT REG FILE	
100.4173	74173	4 BIT D REG	
100.4174	74174	HEX D-FF-CDC	
100.4175	74175	AUD D-FF-CDC	
100.4176	74176	DEC COUNTER +LATCH	
100.4177	74177	BIN COUNTER LATCH	
100.4178	74178	4 BIT SHIFT REG	
100.4179	74179	4 BIT SHIFT REG DC	
100.4180	74180	9 BIT PAR/GENERATOR	
100.4181	74181	ALU 4 BIT	
100.4182	74182	LOOKAH.CARRY GEN	
100.4184	74184	BCD TO BIN CONV.	
100.4185	74185	BIN TO BCD CONV.	
100.4187	74187	1024 BIT ROM 256X4	
100.4190	74190	BCD COUNTER UP/D	
100.4191	74191	BIN COUNTER UP/D	
100.4192	74192	DUAL CL CNTR BCD	
100.4193	74193	DUAL CL CNTR BIN	
100.4194	74194	4 BIT BID SHIFT REG	
100.4195	74195	4 BIT PA SHIFT REG	
100.4196	74196	CNTR/LATCH DEC	
100.4197	74197	CNTR/LATCH BIN	
100.4198	74198	8 BIT BID SHIFT REG	
100.4199	74199	8 BIT BID SHIFT REG JK	
100.4221	74221	DUAL MST MVIBR.	
100.4246	74246	BCD-7 DEC/DR 30V	
100.4247	74247	BCD-7 DEC/DR 15V	
100.4248	74248	BCD TO 7 DEC/DR	



Afbeeldingen gelden ook voor TTL-LS, L, C, HCT en HC serie.

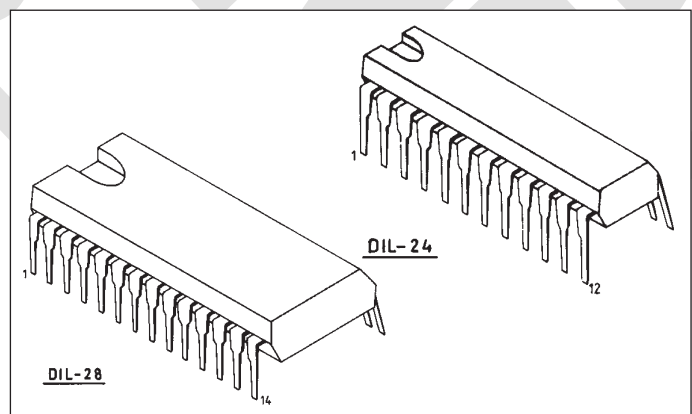
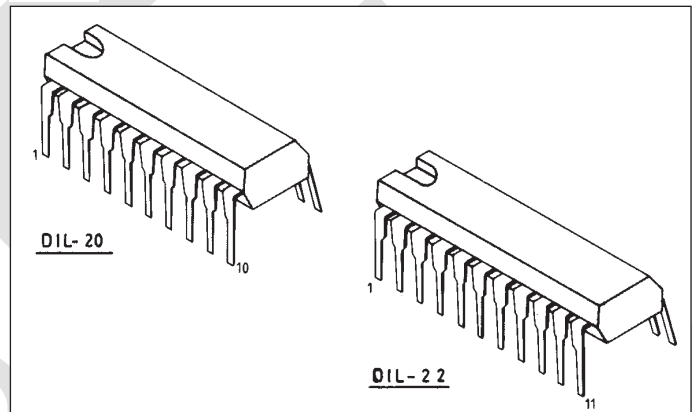


TTL standaard serie



TTL groep 100.xxxx leverbaar zolang de voorraad strekt. Als alternatief gebruikt men groep 101.xxxx (serie LS). Enkele typen zijn niet of slecht leverbaar in LS; deze blijven we leveren als standaard TTL. Dat zijn 7406, 7407 en 74121.

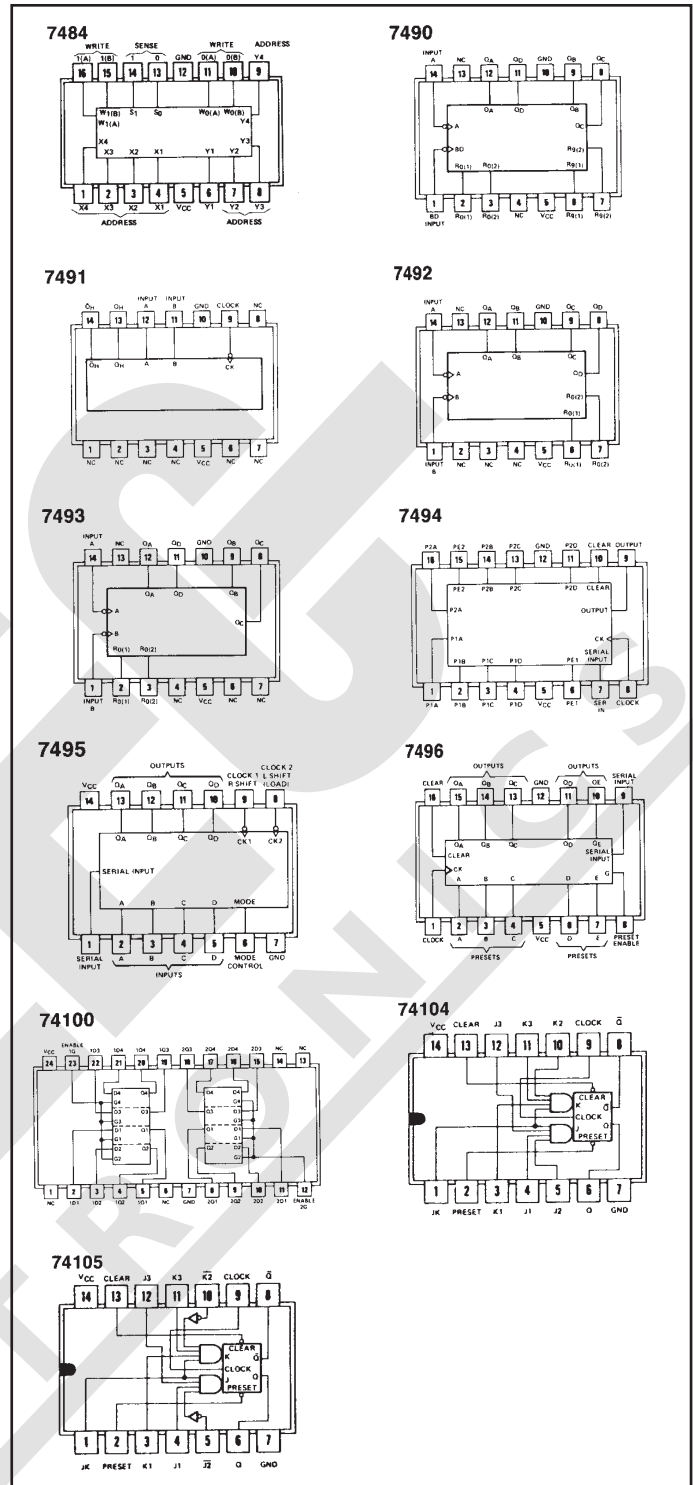
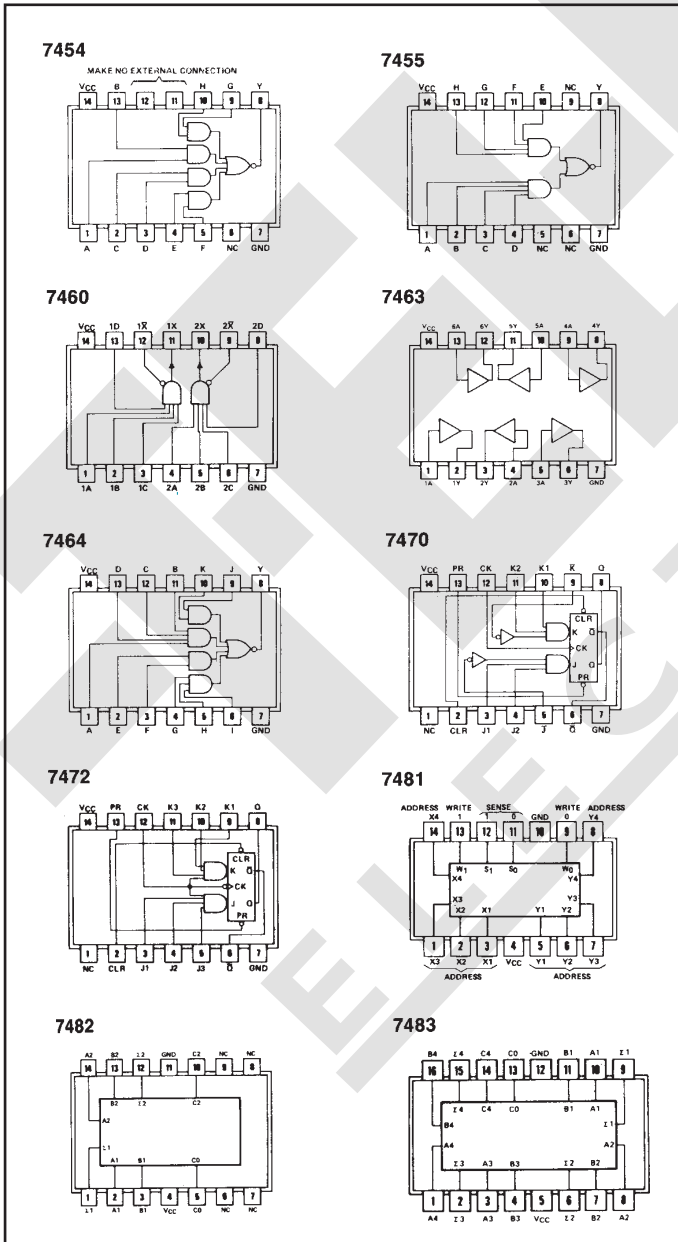
art.nr.	typenr.	omschrijving	brutoprijs in fl.
100.4249	74249	BCD TO 7 DEC/DR	
100.4251	74251	8 TO 1 MPLXR	
100.4259	74259	8 BIT LATCH	
100.4265	74265	OUAD COM OUTP.EL	
100.4273	74273	OCTAL D-FF-CC	
100.4276	74276	OUAD JK-FF-CDC	
100.4278	74278	4 BIT PR.REG	
100.4279	74279	OUAD SE LATCH	
100.4283	74283	4 BIT BIN FL ADD	
100.4284	74284	4 BY 4 BIN MLTPLR	
100.4285	74285	4 BY 4 BIN MLTPLR	
100.4290	74290	/2/5 DEC CNTR	
100.4293	74293	/2/8 BIN CNTR	
100.4298	74298	OUAD 2 MLTPLXR	
100.4351	74351	8 to 1 SEL/MLTPLXR	
100.4365	74365	HEX BUS DRIVER	
100.4366	74366	HEX BUS DRIVER INV.	
100.4367	74367	HEX BUS DRIVER	
100.4368	74368	HEX BUS DRIVER INV.	
100.4376	74376	OUAD JK-FF-CC-CCL	
100.4390	74390	DUAL DEC CNTR	
100.4393	74393	DUAL 4 BIT BIN CNTR	
100.4425	74425	OUAD GATES	
100.4426	74426	QUAD GATES	
100.4490	74490	DUAL DEC COUNTER	
100.4670	74670	4 BY 4 REG FILE	



Afbeeldingen gelden ook voor TTL-LS, L, C, HCT en HC serie.

TTL groep 74Lxx serie leverbaar zolang de voorraad strekt.

art.nr.	typenr.	omschrijving	brutoprijs in fl.
100.6010	74L10	TRIPLE 3 INPUT NAND	
100.6042	74L42	BCD/DECIMAL DECODER	
100.6046	74L46	BCD/7 SEGM. DECODER	
100.6047	74L47	BCD/7 SEGM. DECODER	
100.6051	74L51	DUAL 2 WIDE 2 INPUT AOI	
100.6054	74L54	4 WIDE 2 INPUT AOI	
100.6070	74L70	JK FLIP FLOP AND INPUTS	
100.6072	74L72	JK FLIP FLOP AND INPUTS	
100.6073	74L73	DUAL JK FLIP FLOP	
100.6075	74L75	QUAD LATCH	
100.6078	74L78	DUAL JK FLIP FLOP	
100.6086	74L86	QUAD EXOR	
100.6091	74L91	8 BIT SHIFT REG. SISO	
100.6096	74L96	5 BIT SHIFT REG. PISO	
100.6099	74L99	4 BIT SHIFT REG. PIPO	
100.6122	74L122	MONOST. MULTIVIBRATOR	
100.6153	74L153	DUAL 4 TO 1 LINE SELECT.	
100.6157	74L157	QUAD 2 TO 1 LINE SELECT.	
100.6164	74L164	8 BIT SHIFT REG. SIPO	
100.6192	74L192	REV. DECADE COUNTER	
100.6193	74L193	UP/DOWN COUNTER + CLOCK	



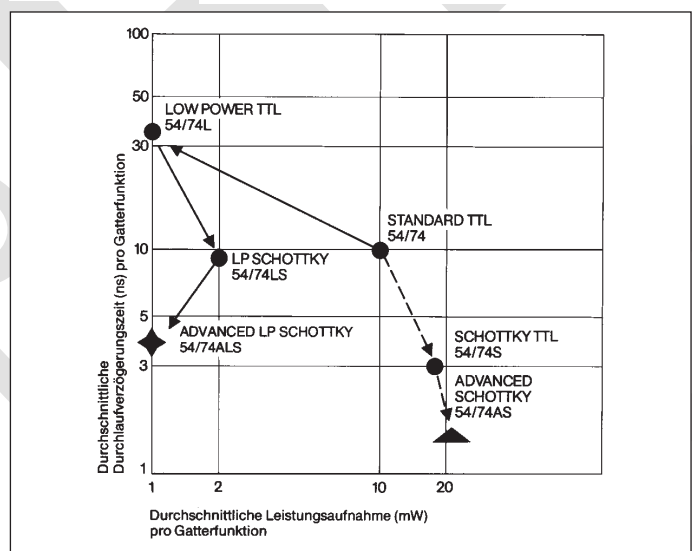
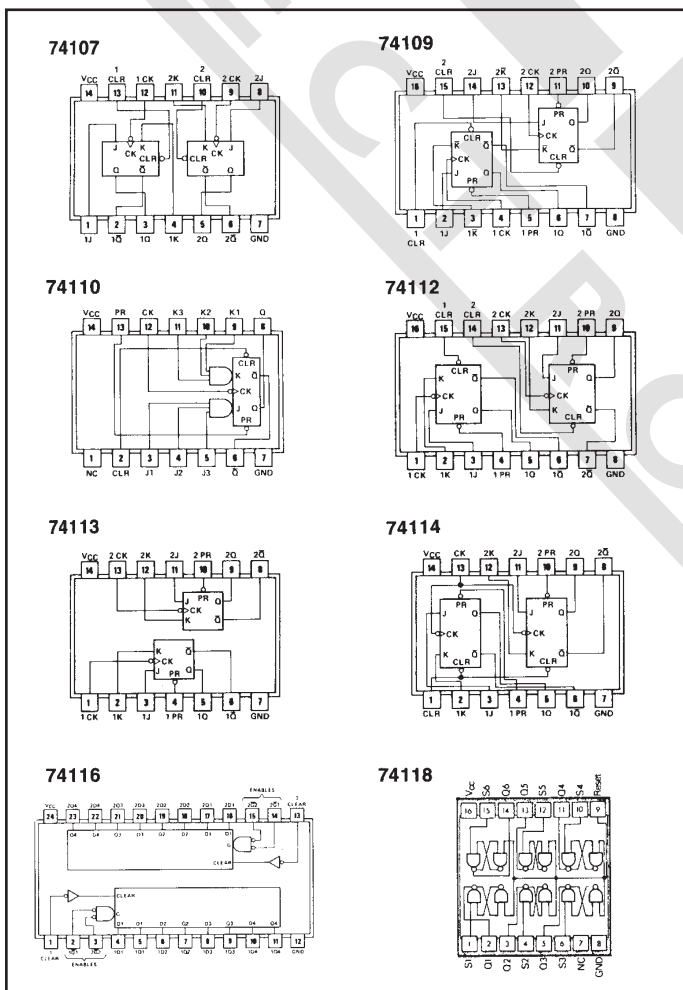
Afbeeldingen gelden ook voor TTL-LS, L, C, HCT en HC serie.

TTL LS serie

TTL LS serie.

art.nr.	typenr.	omschrijving	brutoprijs in fl.
101.0400	74LS00	QUAD 2 NAND	
101.0401	74LS01	QUAD 2 NAND	
101.0402	74LS02	QUAD 2 NOR	
101.0403	74LS03	QUAD 2 NAND	
101.0404	74LS04	HEX INV	
101.0405	74LS05	HEX INV	
101.0406	74LS06	HEX INV/BUFFER/30V OUT	
101.0407	74LS07	HEX BUFFER/30V OUT	
101.0408	74LS08	QUAD 2 AND	
101.0409	74LS09	QUAD 2 AND	
101.0410	74LS10	TRIPLE 3 NAND	
101.0411	74LS11	TRIPLE 3 NAND	
101.0412	74LS12	TRIPLE 3 NAND	
101.0413	74LS13	DUAL 4 SCHM. TRIG. NAND	
101.0414	74LS14	HEX SCHM. TRIGGER INV	
101.0415	74LS15	TRIPLE 3 AND	
101.0418	74LS18	DUAL 4 SCHM. TRIG. NAND	
101.0419	74LS19	HEX SCHMITT TRIGGER INV.	
101.0420	74LS20	DUAL 4 NAND	
101.0421	74LS21	DUAL 4 AND	
101.0422	74LS22	DUAL 4 NAND	
101.0424	74LS24	QUAD 2 NAND SCHM. TRIG.	
101.0426	74LS26	QUAD 2 NAND 15V OUTPUT	
101.0427	74LS27	TRIPLE 3 NOR	
101.0428	74LS28	QUAD 2 NOR BUFFER	

art.nr.	typenr.	omschrijving	brutoprijs in fl.
101.0430	74LS30	8 INPUT NAND	
101.0431	74LS31	TIME DELAY UNIT	
101.0432	74LS32	QUAD 2 OR	
101.0433	74LS33	QUAD 2 NOR BUFFER	
101.0437	74LS37	QUAD 2 NAND BUFFER	
101.0438	74LS38	QUAD 2 NAND BUFFER	
101.0440	74LS40	DUAL 4 NAND BUFFER	
101.0442	74LS42	BCD TO DEC 4 TO 10	
101.0447	74LS47	BCD TO 7 SEGM. DR. 15V	
101.0448	74LS48	BCD TO 7 SEGM. DR.	
101.0449	74LS49	BCD TO 7 SEGM. DR.	
101.0451	74LS51	DUAL 2 WIDE 2 AND-OR-INV	
101.0454	74LS54	4 WIDE 2 INP. AND-OR-INV	
101.0455	74LS55	2 W. 4 INP AND OR INV. EXP.	
101.0456	74LS56	frequency divider	
101.0457	74LS57	FREQUENCY DIVIDER	
101.0463	74LS63	HEX. CURRENT. SENS. GATE	
101.0468	74LS68	DUAL 40 MHZ DEC. COUNTER	
101.0469	74LS69	DUAL 40 MHZ 4 BIT COUNTER	
101.0473	74LS73	DUAL JK FLIP FLOP	
101.0474	74LS74	DUAL D-TYPE FLIP FLOP	
101.0475	74LS75	QUAD BIST. LATCH	
101.0476	74LS76	DUAL JK FLIP FLOP	
101.0478	74LS78	DUAL JK FLIP FLOP	
101.0483	74LS83	4-BIT BIN. FULL ADDER	
101.0485	74LS85	4-BIT MAGNITUDE COMPER.	
101.0486	74LS86	QUAD 2 EXOR	
101.0490	74LS90	/2-/5 DECADE COUNTER	
101.0491	74LS91	8-BIT SHIFT REG. SISO	
101.0492	74LS92	/2-/6 COUNTER	
101.0493	74LS93	4-BIT BIN COUNTER	
101.0494	74LS95	4-BIT SHIFT REGISTER PISO	
101.0496	74LS96	5-BIT SHIFT REGISTER PISO	
101.4107	74LS107	DUAL JK FLIP FLOP+CLEAR	
101.4109	74LS109	DUAL JK-FF+CLEAR+PRES.	
101.4112	74LS112	DUAL JK-FF+CLEAR+PRES.	
101.4113	74LS113	DUAL JK FLIP FLOP+PRES.	

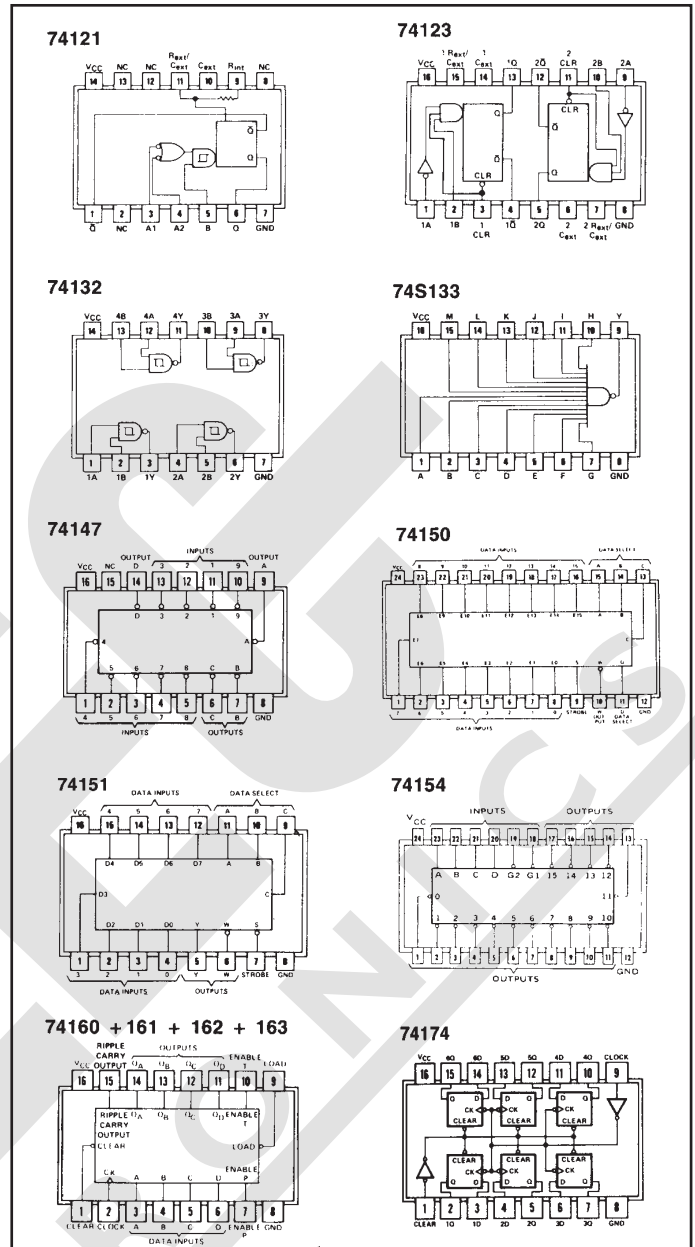


Afbeeldingen gelden ook voor TTL-LS, L, C, HCT en HC serie.

Prijsinformatie...

Voor informatie omtrent de prijzen
zie onze aparte prijslijst en / of
onze on-line prijslijst op
<http://www.telec.nl>

art.nr.	typenr.	omschrijving	brutoprijs in fl.
101.4114	74LS114	DUAL JK-FF+CLEAR+PRES.	
101.4122	74LS122	RETR. MONOST. MULTIVIBR.	
101.4123	74LS123	DUAL RETR. MONO MVIBR	
101.4125	74LS125	QUAD BUS BUFFER	
101.4126	74LS126	QUAD BUS BUFFER	
101.4132	74LS132	QUAD 2 NAND SCHM. TRIG.	
101.4133	74LS133	11-INPUT NAND	
101.4136	74LS136	QUAD EXOR GATE	
101.4137	74LS137	3 TO 8 LINE DEC/DEM.	
101.4138	74LS138	3 TO 8 LINE DEC/DEM.	
101.4139	74LS139	DUAL 2 TO 4 MLTPLXR	
101.4145	74LS145	BCD TO DEC DCDR/DR 15V	
101.4147	74LS147	10 TO 4 PRIORITY ENC.	
101.4148	74LS148	8 TO 3 PRIORITY ENC.	
101.4151	74LS151	1 OF 8 SEL/MLTPLXR	
101.4152	74LS152	8 TO 1 LINE MLTPLXR	
101.4153	74LS153	DUAL 4 TO 1 SEL/MLTPLXR	
101.4154	74LS154	4 TO 16 DMLTPLXR	
101.4155	74LS155	DUAL 2 TO 4 DMLTPLXR	
101.4156	74LS156	DUAL 2 TO 4 DMLTPLXR	
101.4157	74LS157	QUAD 2 TO 1 SEL/MLTPLXR	
101.4158	74LS158	74157 INV. OUTP.	
101.4160	74LS160	4-BIT COUNTER DEC DC	
101.4161	74LS161	4-BIT BINARY DEC DC	
101.4162	74LS162	4-BIT DECODE SYNC C	
101.4163	74LS163	4-BIT BINAIRY SYNC C	
101.4164	74LS164	8-BIT SHIFTREG ASYNCC	
101.4165	74LS165	8-BIT SHIFTREG COMP	
101.4166	74LS166	8-BIT SHIFT REG PISO	
101.4168	74LS168	4-BIT SYNC. DEC. COUNTER	
101.4169	74LS169	4-BIT SYNC. BIN. CNTR. 16	
101.4170	74LS170	4 BY 4 REGISTER FILE	
101.4173	74LS173	4-BIT D REG (QUAD LATCH)	
101.4174	74LS174	HEX D-TYPE FLIP FLOP	
101.4175	74LS175	QUAD D-TYPE FF-CDC	
101.4181	74LS181	4 BIT ALU	
101.4183	74LS183	DUAL FL ADD CARRSAVE	
101.4189	74LS189	64-BIT STATIC RAM	
101.4190	74LS190	BCD COUNTER REVERSABLE	
101.4191	74LS191	BIN COUNTER REVERSABLE	
101.4192	74LS192	DUAL CL COUNTER BCD C	
101.4193	74LS193	DUAL CL COUNTER BIN C	
101.4194	74LS194	4-BIT BID SHIFT REG	
101.4195	74LS195	4-BIT PA SHIFT REG	
101.4196	74LS196	COUNTER/LATCH DEC	
101.4197	74LS197	COUNTER/LATCH BIN	
101.4219	74LS219	RAM 16 X 4	
101.4221	74LS221	DUAL MONOST. MVIBR	
101.4222	74LS222	FIFO 16 X 4 ASYNCHR.	
101.4224	74LS224	FIFO 16 X 4 ASYNCHR.	
101.4227	74LS227	FIFO 16 X 4 ASYNCHR.	
101.4228	74LS228	FIFO 16 X 4 ASYNCHR.	
101.4240	74LS240	OCT BUFF/DR/RCVR INV	
101.4241	74LS241	OCT-BUFF/DR/RCVR	
101.4242	74LS242	QUAD BUS TRCVR INV	
101.4243	74LS243	QUAD BUS TRCVR	
101.4244	74LS244	OCT BUFF/DR/RECEIVER	
101.4245	74LS245	OCT BUS TRANSCEIVER	
101.4247	74LS247	BCD TO 7 S. DEC/DR. 15V	
101.4248	74LS248	BCD TO 7 SEGM DEC/DR.	
101.4249	74LS249	BCD TO 7 SEGM DEC/DR.	
101.4251	74LS251	8 TO 1 MULTIPLEXER	
101.4253	74LS253	DUAL 4-1 MULTIPLEXER	
101.4256	74LS256	DUAL 4 BIT LATCH	
101.4257	74LS257	QUAD SEL MULTIPLEXER	
101.4258	74LS258	QUAD SEL MULTIPLEXER	

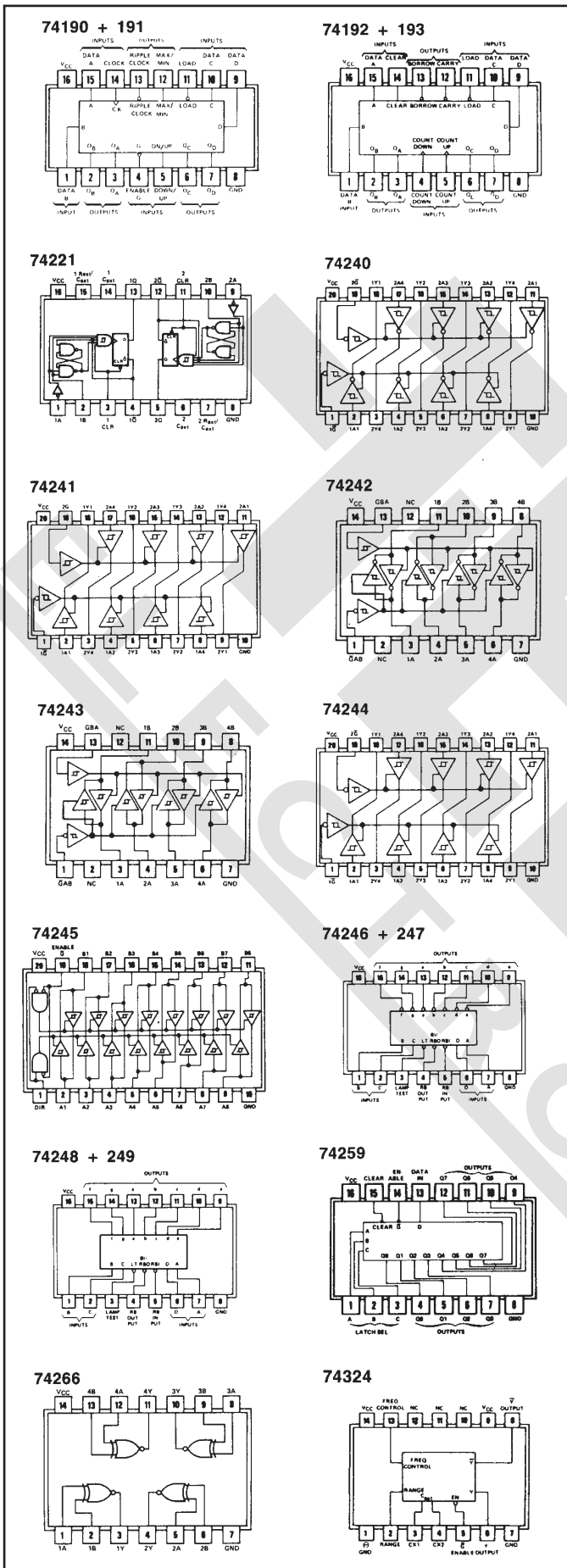


Afbeeldingen gelden ook voor TTL-LS, L, C, HCT en HC serie.

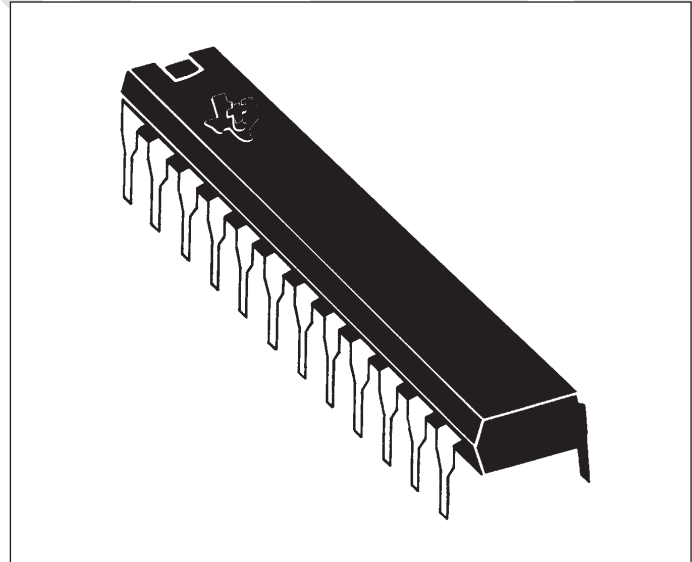
Het kan voorkomen dat om redenen van uitverkocht, tijdelijk niet leverbaar e.d. sommige artikelen niet in voorraad zijn. Wij kunnen dan eenzelfde component van een ander fabrikant leveren. Hierdoor zijn geringe afwijkingen in specificaties, maatvoering en prijs mogelijk.

art.nr.	typenr.	omschrijving	brutoprijs in fl.
101.4259	74LS259	8 BIT ADRESSABLE LATCH	
101.4260	74LS260	DUAL 5 NOR GATE	
101.4261	74LS261	2 BY 4 BIN MULTIPLEXER	
101.4266	74LS266	QUAD 2 EXNOR	
101.4273	74LS273	OCT D-TYPE FF-CC	
101.4275	74LS275	7 BIT WALLACE TREES	
101.4279	74LS279	QUAD SR-LATCH	
101.4280	74LS280	9 BIT PAR/GEN	
101.4283	74LS283	4-BIT BIN FULL ADD	
101.4289	74LS289	64 BIT RAM	

¹= Artikel niet meer in productie; slecht of niet meer leverbaar.



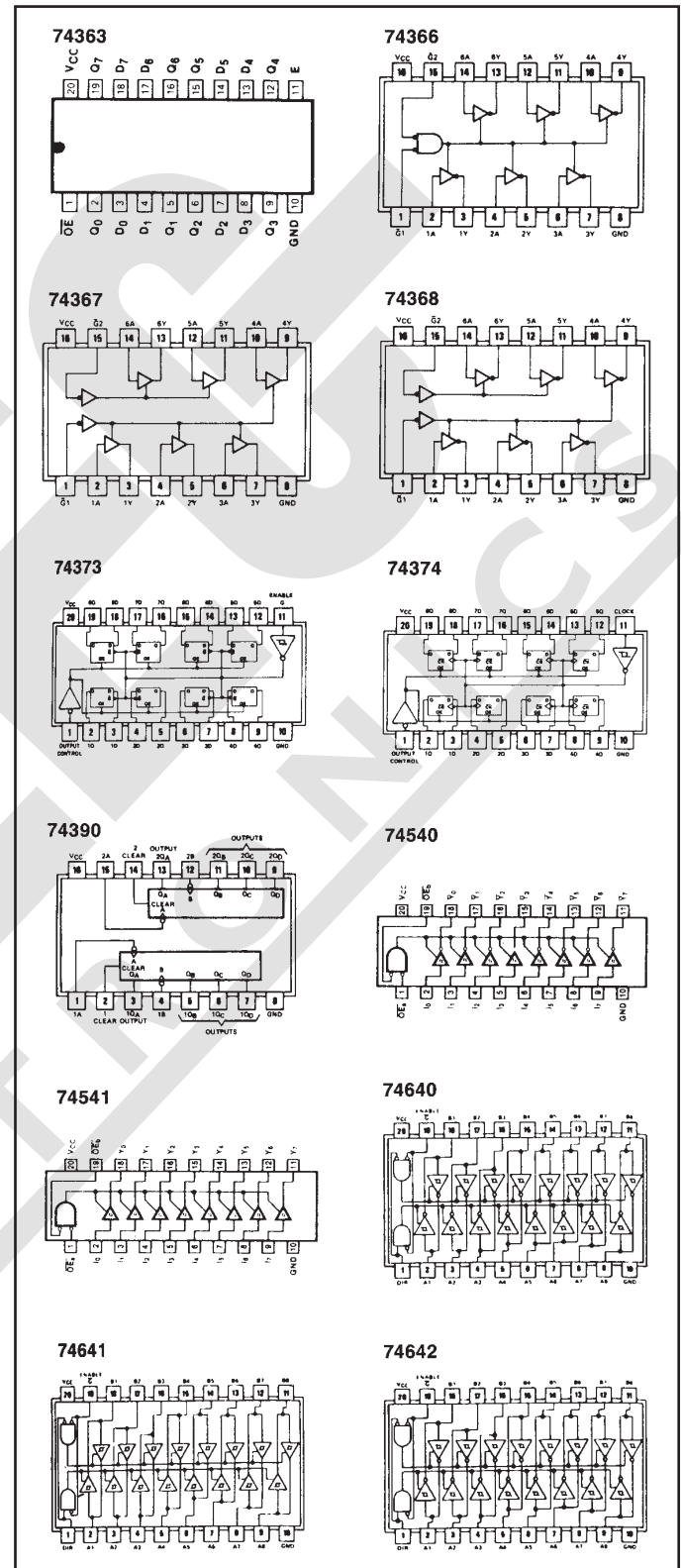
art.nr.	typenr.	omschrijving	brutoprijs in fl.
101.4290	74LS290	/2 /5 DEC COUNTER	
101.4292	74LS292	PROGR. FREQ. DIVIDER	
101.4293	74LS293	/2 /8 BINARY COUNTER	
101.4294	74LS294	PROGR. FREQ. DIVIDER	
101.4295	74LS295	4-BIT BID. SHIFT REG	
101.4297	74LS297	DIGITAL PLL FILTER	
101.4298	74LS298	QUAD 2 MULTIPLEXER	
101.4299	74LS299	8 BIT BID SHIFT REG.	
101.4320	74LS320	QUARZ OSCILLATOR	
101.4321	74LS321	QUARZ OSCILLATOR	
101.4322	74LS322	8 BIT SHIFT REGISTER	
101.4323	74LS323	8 BIT BID. SHIFT REG.	
101.4324	74LS324	VOLTAGE CONTR. OSCILL.	
101.4347	74LS347	7 SEGM. DECODER	
101.4348	74LS348	8 TO 3 LINE ENCODER	
101.4352	74LS352	DUAL 4 TO 1 LINE SELECT	
101.4353	74LS353	DUAL 4 TO 1 LINE SELECT	
101.4354	74LS354	8 TO 1 LINE DATA SEL.	
101.4355	74LS355	LS 354 WITH OPEN C. OUTP.	
101.4356	74LS356	8 TO 1 LINE DATA SEL.	
101.4357	74LS357	8 LINE TO 1 LINE DATA SEL.	
101.4364	74LS364	OCTAL D-TYPE FLIP FLOP	
101.4365	74LS365	HEX BUS DRIVER	
101.4366	74LS366	HEX BUS DRIVER INV.	
101.4367	74LS367	HEX BUS DRIVER	
101.4368	74LS368	HEX BUS DRIVER INV.	
101.4373	74LS373	OCT D-LATCH TRANSPAR.	
101.4374	74LS374	OCTAL D-TYPE FLIP FLOP	
101.4375	74LS375	4-BIT BIST. LATCH	
101.4377	74LS377	OCT D-FF-CE-CCL	
101.4378	74LS378	HEX D-FF-CE-CCL	
101.4379	74LS379	QUAD D-FF-CE-CCL	
101.4381	74LS381	8-BIT ALU/FUNCTION GEN.	
101.4381	74LS382	4-BIT ALU/FUNCTION GEN.	
101.4384	74LS384	8 BIT MULTIPLIER	
101.4385	74LS385	QUAD ADDER/SUBTRACTOR	
101.4386	74LS386	QUAD 2 EXOR	
101.4390	74LS390	DUAL DEC COUNTER	
101.4393	74LS393	DUAL 4-BIT BIN COUNTER	
101.4395	74LS395	4-BIT SHIFT REGISTER	
101.4396	74LS396	8 BIT STORAGE REGISTER	
101.4398	74LS398	QUAD 2 MLTPLXR/STORAGE	
101.4399	74LS399	QUAD 2 MLTPLXR P/O	
101.4423	74LS423	MULTIVIBRATOR ONE SHOT	
101.4424	74LS424	MULTIVIBRATOR/DRIVER	
101.4440	74LS440	TRIDIRECTIONAL TRANSC.	
101.4441	74LS441	LS 440 INVERTING	
101.4442	74LS442	BUS TRANSCEIVER	
101.4443	74LS443	BUS TRANSCEIVER	



! = Artikel niet meer in productie; slecht of niet meer leverbaar.

art.nr.	typenr.	omschrijving	brutoprijs in fl.
101.4444	74LS444	BUS TRANSCEIVER	
101.4445	74LS445	BCD TO 7 SEGM DECODER	
101.4446	74LS446	QUAD BUS TR. INC. DIR. C.	
101.4447	74LS447	BCD TO 7 SEGM DECODER	
101.4449	74LS449	QUAD BUS XCVR	
101.4465	74LS465	OCTAL BUFFER(=8 1LS95)	
101.4466	74LS466	OCTAL BUFFER(=8 1LS96)	
101.4467	74LS467	OCTAL BUFFER(=8 1LS97)	
101.4468	74LS468	OCTAL BUFFER(=8 1LS98)	
101.4490	74LS490	DUAL 4 BIT DEC. COUNTER	
101.4540	74LS540	OCTAL BUFFER/LINE DRIV.	
101.4541	74LS541	NON INV. 74LS540	
101.4590	74LS590	8 BIT BIN. COUNTER	
101.4591	74LS591	8 BIT BIN. COUNTER	
101.4592	74LS592	8 BIT BIN. CNTR WITH PRE.	
101.4593	74LS593	8 BIT BIN. CNTR WITH BIN.	
101.4594	74LS594	8 BIT SHIFT REG/LATCH	
101.4595	74LS595	8 BIT SHIFT REG/LATCH	
101.4596	74LS596	8 BIT SHIFT REG/LATCH	
101.4597	74LS597	8 BIT SHIFT REG/LATCH	
101.4598	74LS598	8 BIT SHIFT REG/LATCH	
101.4599	74LS599	8 BIT SHIFT REG/LATCH	
101.4600	74LS600	MEMORY REF. CONTR.	
101.4601	74LS601	MEMORY REF. CONTR.	
101.4602	74LS602	MEMORY REFRESH CONTR.	
101.4603	74LS603	MEMORY REFRESH CONTR.	
101.4604	74LS604	MULTIPL./LATCH	
101.4605	74LS605	16 TO 8 MULTIPLEXER	
101.4606	74LS606	MULTIPL./LATCH	
101.4607	74LS607	16 TO 8 MULTIOPLEXER	
101.4608	74LS608	MEMORY CYCLE CONTR.	
101.4610	74LS610	MEMORY MAPPER/LATCH	
101.4611	74LS611 ¹⁾	MEMORY MAPPER/LATCH	
101.4612	74LS612	MEMORY MAPPERS	
101.4613	74LS613 ¹⁾	MEMORY MAPPERS	
101.4620	74LS620	OCTAL BUS TRANSCEIVER	
101.4621	74LS621 ¹⁾	OCTAL BUS TRANSCEIVER	
101.4622	74LS622 ¹⁾	OCTAL BUS TRANSCEIVER	
101.4623	74LS623	NON-INV. 74LS620	
101.4624	74LS624	VCO (IMPROVED 74LS324)	
101.4625	74LS625	VCO (IMPROVED 74LS325)	
101.4626	74LS626	VCO (IMPROVED 74LS326)	
101.4627	74LS627	VCO (IMPROVED 74LS327)	
101.4628	74LS628	VOLTAGE CONTR. OSC.	
101.4629	74LS629	VCO (IMPROVED 74LS124)	
101.4630	74LS630	16 BIT PARITY ERROR	
101.4631	74LS631 ¹⁾	16-BIT PARITY ERROR	
101.4636	74LS636	8 BIT EDAC	
101.4637	74LS637	8 BIT EDAC	
101.4638	74LS638	OCTAL BUS TRANSCEIVER	
101.4639	74LS639	OCTAL BUS TRANSCEIVER	
101.4640	74LS640	OCTAL INV. BUS TR.	
101.4641	74LS641	OCTAL BUS TRANSCEIVER	
101.4642	74LS642	OCTAL BUS TRANSCEIVER	
101.4643	74LS643	OCTAL BUS TRANSCEIVER	
101.4644	74LS644	OCTAL BUS TRANSCEIVER	
101.4645	74LS645	OCTAL BUS TRANSCEIVER	
101.4646	74LS646	OCTAL BUS TR. AND REG.	
101.4647	74LS647	OCTAL BUS TR. AND REG.	
101.4648	74LS648	OCTAL BUS TR. AND REG.	
101.4649	74LS649	8 BIT BIDIR. BUS DRIVER	

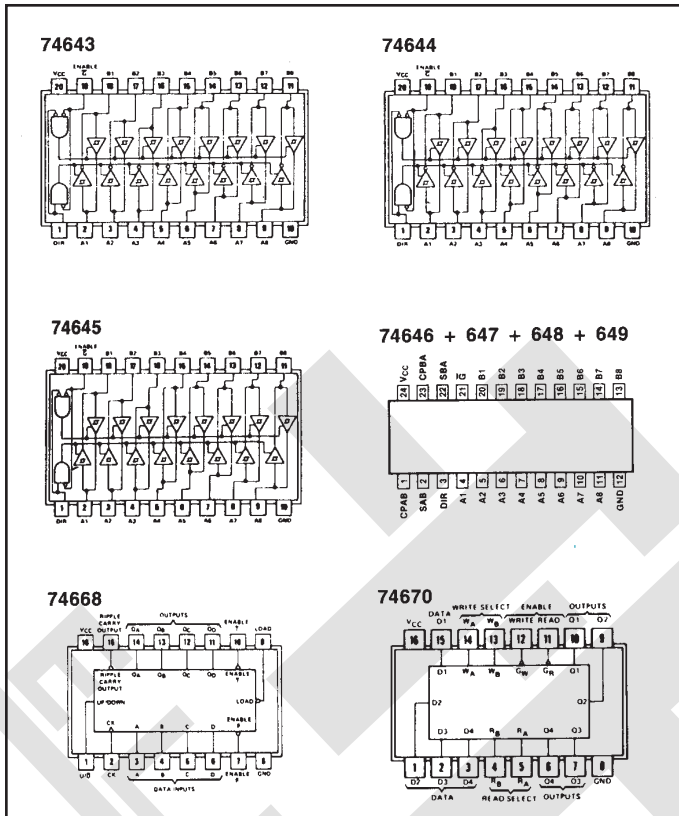
art.nr.	typenr.	omschrijving	brutoprijs in fl.
101.4651	74LS651	OCTAL BUS TRANSCEIVER	
101.4652	74LS652	OCTAL BUS TRANSCEIVER	
101.4653	74LS653	8 BIT INV. BIDIR. BUS DR.	
101.4654	74LS654	8 BIT BIDIR. BUS DRIVER	
101.4668	74LS668	4-BIT DEC. CNTR. SYNCH.R.	



Afbeeldingen gelden ook voor TTL-LS, L, C, HCT en HC serie.

¹⁾ Artikel niet meer in productie; slecht of niet meer leverbaar.

TTL LS serie

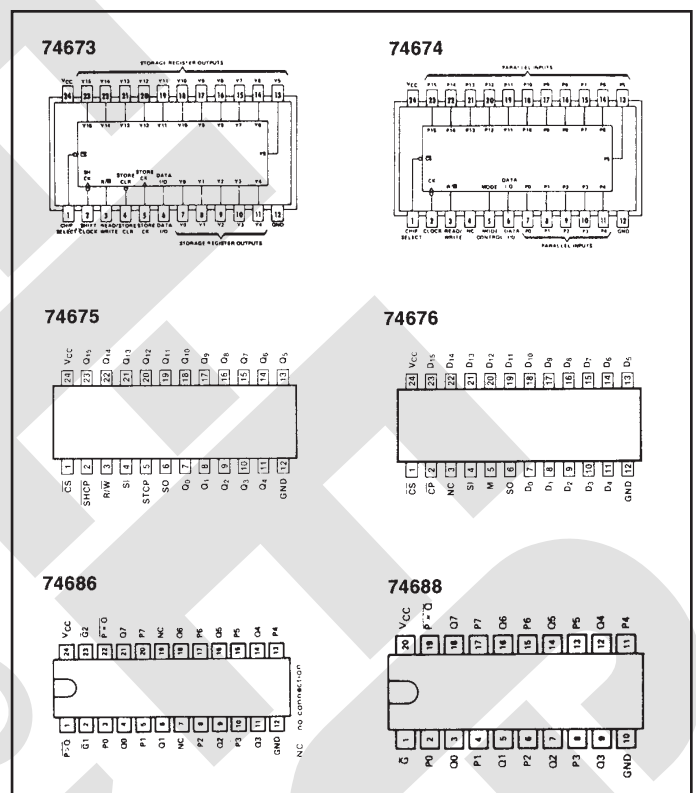


Afbeeldingen gelden ook voor TTL-LS, L, C, HCT en HC serie.

art.nr.	typenr.	omschrijving	brutoprijs in fl.
101.4669	74LS669	4-BIT BIN. CNTR. SYNCH.R.	
101.4670	74LS670	4 BY 4 REG. FILE	
101.4671	74LS671	4-BIT UNIVERSAL SH. REG. L.	
101.4672	74LS672	4-BIT UNIVERSAL SH. REG. L.	
101.4673	74LS673	16-BIT SIPO SH. REG.	
101.4674	74LS674	16-BIT PISO SH. REG.	
101.4681	74LS681	8-BIT MAGN. COMPARATOR	
101.4682	74LS682	8-BIT MAGN. COMPARATOR	
101.4683	74LS683 ¹	8-BIT MAGN. COMPARATOR	
101.4684	74LS684	8-BIT MAGN. COMPARATOR	

¹= Artikel niet meer in productie; slecht of niet meer leverbaar.

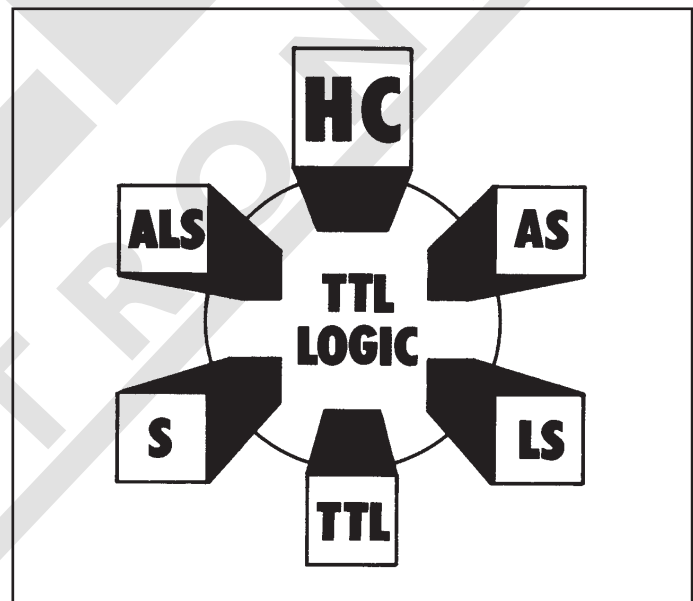
art.nr.	typenr.	omschrijving	brutoprijs in fl.
101.4685	74LS685 ¹	8-BIT MAGN. COMPARATOR	
101.4686	75LS686 ¹	8-BIT MAGN. COMPARATOR	
101.4687	74LS687	8-BIT MAGN. COMPARATOR	
101.4688	74LS688	8-BIT MAGN. COMPARATOR	
101.4689	74LS689	8-BIT MAGN. COMPARATOR	
101.4690	74LS690	DECADE CNTR. DIRECT CL.	
101.4691	74LS691	BINARY CNTR. DIRECT CL.	
101.4692	74LS692	DECADE CNTR. SYNCHR. CL.	
101.4693	74LS693	BINARY CNTR. SYNCHR. CL.	
101.4696	74LS696	DECADE UP/DOWN COUNTR	
101.4697	74LS697	BINARY UP/DOWN COUNTR	
101.4698	74LS698	DECADE U/D CNTR. S. CL.	
101.4699	74LS699	BINARY U/D CNTR. S. CL.	
101.5000	74LS2000 ¹	DIRECTION DISCRIMINATOR	
101.8195	81LS95	OCTAL BUFFER (74LS465)	
101.8196	81LS96	OCTAL BUFFER (74LS466)	
101.8197	81LS97	OCTAL BUFFER (74LS467)	
101.8198	81LS98	OCTAL BUFFER (74LS468)	



EIGENSCHAPPEN TTL REEKS	SSI poorten propaganda delay	flip-flops toggle rate	MSI ALU 4 bit add time
Standaard TTL 7400 reeks SSI en MSI, 8200 reeks MSI, 9300 en 9600 reeks MSI Standaard "gold doped" is de door de industrie nog steeds gebruikte digitale TTL reeks en blijft in productie. In nieuw ontwikkelde systemen zal in het algemeen de voorkeur worden gegeven aan Low Power Schottky TTL met dezelfde functie.	10 ns bij 10 mW	25 MHz.	28 ns.
Laagvermogen Schottky TTL 74LS00 reeks SSI en MSI. Laagvermogen Schottky bezit dezelfde snelheid als standaard TTL bij 1/5 van het vermogen. De besparing op energie en het LSI niveau moedigen het gebruik van 74LS aan in de meeste nieuwe systemen.	10 ns bij 2 mW	30 MHz.	21 ns.
Schottky TTL 74S00 reeks SSI, MSI en 82S00 reeks MSI Schottky TTL bezitten een diode clamp design teneinde de grootst mogelijke snelheid op TTL niveau te verzekeren.	3 ns bij 30 mW	90 MHz.	11 ns.

art.nr.	typenr.	omschrijving	brutoprijs in fl.
102.0400	74S00	QUAD 2-INP NAND	
102.0402	74S02	QUAD 2-INP NOR	
102.0403	74S03	QUAD 2-INP NAND	
102.0404	74S04	HEX INVERTER	
102.0405	74S05	HEX INVERTER	
102.0408	74S08	QUAD 2-INP AND	
102.0409	74S09	QUAD 2-INP AND	
102.0410	74S10	TRIPPLE 3-INP NAND	
102.0411	74S11	TRIPPLE 3-INP AND	
102.0415	74S15	TRIPPLE 3-INP AND	
102.0420	74S20	DUAL 4-INP NAND	
102.0422	74S22	DUAL 4-INP NAND	
102.0430	74S30	8-INP NAND	
102.0432	74S32	8-INP POSITIVE NAND	
102.0437	74S37	QUAD 2-INP NAND BUFFER	
102.0438	74S38	QUAD 2-INP NAND BUFFER	
102.0440	74S40	DUAL 4-INP NAND BUFFER	
102.0451	74S51	DUAL 4-INP AND/INVERTER	
102.0464	74S64	AND/OR/INVERTER	
102.0465	74S65	AND/OF/INVERTER	
102.0474	74S74	DUAL D-TYPE FLIP-FLOP	
102.0485	74S85	4-BIT MAGNITUDE COMPARAT.	
102.0486	74S86	QUAD 2-INP EXOR	
102.4112	74S112	DUAL JK FLIP-FLOP	
102.4113	74S113	DUAL JK FLIP-FLOP	
102.4114	74S114	DUAL JK FLIP-FLOP	
102.4124	74S124	DUAL VOLT.CONTR.OSC	
102.4132	74S132	QUAD SCHMITT TRIGGER	
102.4133	74S133	13 INPUT NAND	
102.4134	74S134	12 INPUT NAND	
102.4135	74S135	QUAD EXOR/NOR	
102.4138	74S138	3-8 LINE DEC./DEMULTIPL.	
102.4139	74S139	DUAL 2-4 LINE DECODER	
102.4140	74S140	DUAL INPUT NAND DRIVER	
102.4151	74S151	8-1 LINE MULTIPLEXER	
102.4153	74S153	DUAL 4-1 LINE MULTIPLEXER	
102.4157	74S157	QUAD 2-1 LINE MULTIPLEXER	
102.4158	74S158	QUAD 2-1 LINE SELECT	
102.4162	74S162	SYNCHR. 4-BIT DECADE COUN.	
102.4163	74S163	SYNCHR. 4-BIT BIN. COUNT.	
102.4168	74S168	SYNCHR. 4-BIT BIN. COUNT.	
102.4169	74S169	SYNCHR. 4-BIT BIN. COUN.	
102.4174	74S174	HEX D-TYPE FLIP-FLOP	
102.4175	74S175	QUAD D-TYPE FLIP-FLOP	
102.4181	74S181	4 BIT ALU	
102.4182	74S182	CARRY LOOK AHEAD UNIT	
102.4188	74S188	32X8 PROM	
102.4194	74S194	4-BIT UNIVERS. SHIFT REG.	
102.4195	74S195	4-BIT PAR ACC. SHIFT REG.	

art.nr.	typenr.	omschrijving	brutoprijs in fl.
102.4196	74S196	DECADE COUNTER	
102.4197	74S197	BINAIRY COUNTER	
102.4225	72S225	FIFOMEMORY 16X5	
102.4226	74S226	4-BIT TRANS. AND STOR.	
102.4240	74S240	OCTAL INVERTER/DRIVER	
102.4241	74S241	OCTAL DRIVER	
102.4244	74S244	OCTAL DRIVER	
102.4251	74S251	8 INPUT SELECTOR	
102.4257	74S257	QUAD 2-1 LINE MULTIPLEXER	
102.4258	74S258	QUAD 2-1 LINE MULTIPLEXER	
102.4260	74S260	DUAL 5-INP NOR	
102.4270	74S270	512 X 4 BIT ROM	
102.4275	74S275	7 BIT X 4 MULTIPLIER	
102.4280	74S280	9-BIT PARITY CHECKER	
102.4283	74S282	4 BIT FULL ADDER	
102.4288	74S288	32 x 8 BIT PROM	
102.4299	74S299	8 BIT UNIV. SHIFT REG.	
102.4301	74S301	256 X 1 BIT RAM	
102.4373	74S373	OCTAL D-TYPE FLIP-FLOP	
102.4374	74S374	OCTAL D-TYPE FLIP-FLOP	
102.4387	74S387	256 X BIT PROM	
102.4412	74S412	INPUT/OUTPUT PORT MPU	
102.4428	74S428	SYSTEM CONTR. FOR 8080	
102.4438	74S438	SYSTEM CONTR. FOR 8080A	
102.4472	74S472	512 X 8 BIT PROM	
102.4473	74S473	512 X 8 BIT PROM	
102.4571	74S571		
102.9000	74F74	DUAL D-TYPE FLIP FLOP	
102.9010	74F112	DUAL JK FLIP FLOP	



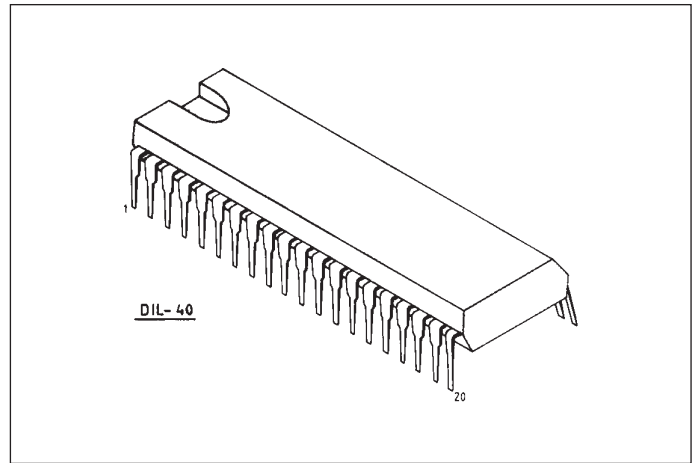
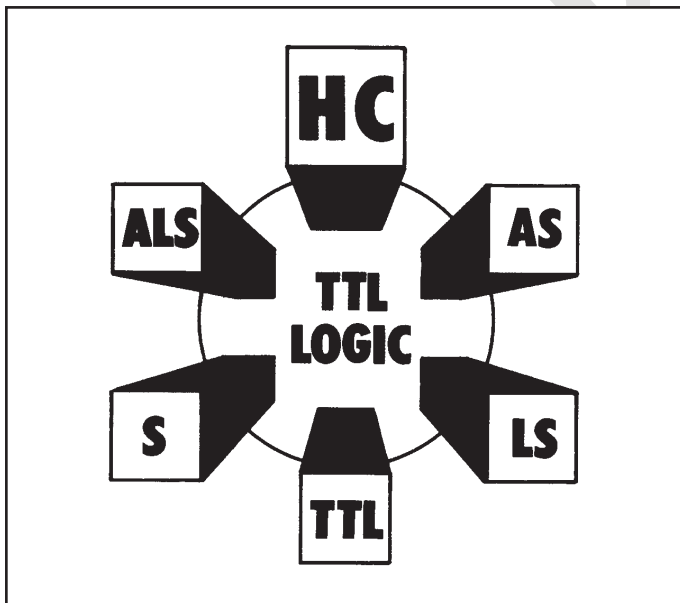
Het kan voorkomen dat om redenen van uitverkocht, tijdelijk niet leverbaar e.d. sommige artikelen niet in voorraad zijn. Wij kunnen dan eenzelfde component van een ander fabrikant leveren. Hierdoor zijn geringe afwijkingen in specificaties, maatvoering en prijs mogelijk.

TTL C serie

art.nr.	typenr.	omschrijving	brutoprijs in fl.
103.0400	74C00	QUAD 2 INPUT NAND	
103.0402	74C02	QUAD 2 INPUT NOR	
103.0404	74C04	HEX INVERTER	
103.0408	74C08	QUAD 2 INPUT AND	
103.0410	74C10	TRIPLE 2 INPUT AND	
103.0414	74C14	HEX SCHMITT INV. (40106)	
103.0420	74C20	DUAL 4 INPUT NAND	
103.0430	74C30	SINGLE 8 INPUT NAND	
103.0432	74C32	QUAD 2 INPUT OR	
103.0442	74C42	BCD TO DECIMAL DECOD.	
103.0448	74C48	BCD TO SEVEN SEGM DR.	
103.0473	74C73	DUAL JK FLIP FLOP + CL.	
103.0474	74C74	DUAL D-TYPE FLIP FLOP	
103.0476	74C76	DUAL JK FLIP FLOP	
103.0483	74C83	4 BIT BIN. FULL ADDER	
103.0485	74C85	4 BIT MAGN. COMPARATOR	
103.0486	74C86	QUAD 2 INPUT XOR	
103.0489	74C89	64 BIT RAM	
103.0490	74C90	/2-/5 DECADE COUNTER	
103.0493	74C93	4 BIT BINAIRY COUNTER	
103.0495	74C95	4 BIT SHIFT REGISTER	
103.4107	74C107	DUAL JK FLIP FLOP	
103.4150	74C150	1 OF 16 SEL/MULTIPLEXER	
103.4151	74C151	1 OF 8 SEL/MULTIPLEXER	
103.4154	74C154	4 TO 16 DEMULTIPLEXER	
103.4157	74C157	QUAD 2 TO 16 DEMULTPLXR.	
103.4160	74C160	SYNCHR. DECADE COUNT.	
103.4161	74C161	SYNCHR. BINAIRY COUNT.	
103.4162	74C162	SYNCHR. DECADE COUNT.	
103.4163	74C163	SYNCHR. BINAIRY COUNT.	
103.4164	74C164	8 BIT SHIFT REG ASYNCHR	
103.4165	74C165	8 BIT SHIFT REG. COMP.	
103.4173	74C173	QUAD LATCH	
103.4174	74C174	HEX D-TYPE FLIP FLOP	
103.4175	74C175	QUAD D-TYPE FLIP FLOP	

¹= Artikel niet meer in productie; slecht of niet meer leverbaar.

Het kan voorkomen dat om redenen van uitverkocht, tijdelijk niet leverbaar e.d. sommige artikelen niet in voorraad zijn. Wij kunnen dan eenzelfde component van een ander fabrikant leveren. Hierdoor zijn geringe afwijkingen in specificaties, maatvoering en prijs mogelijk.



art.nr.	typenr.	omschrijving	brutoprijs in fl.
103.4192	74C192	REV. DECADE COUNTER	
103.4193	74C193	SYNC. UP/DOWN COUNT.	
103.4195	74C195	4 BIT SHIFT REGISTER	
103.4200	74C200	256 X 1 BIT RAM	
103.4221	74C221	DUAL MST MULTIVIBRATOR	
103.4240	74C240	OCT BUFF/DR/RCVR. INV.	
103.4244	74C244	OCT BUFF/DR/RECEIVER	
103.4373	74C373	OCTAL TRANSPAR. LATCH	
103.4374	74C374	OCTAL D-TYPE FLIP FLOP	
TTL C serie tot en met 74C374 zolang de voorraad strekt.			
103.4901	74C901	HEX TTL BUFF INVERTER	
103.4902	74C902 ¹	HEX TTL BUFFER NON INV.	
103.4903	74C903 ¹	HEX INVERTING BUFFER	
103.4904	74C904 ¹	HEX BUFFER NON INV.	
103.4905	74C905 ¹	SUCC. APPROX. REGISTER	
103.4906	74C906	HEX N-CHANNEL BUFFER	
103.4907	74C907 ¹	HEX OPEN DRAIN BUFFER	
103.4908	74C908 ¹	DUAL CMOS DRIVER 30V	
103.4910	74C910 ¹	256 X 1 BIT RAM	
103.4911	74C911 ¹	4 DIGIT DISPLAY DRIVER	
103.4914	74C914	HEX SCHMITT TRIGGER	
103.4915	74C915 ¹	7 SEGMENT/BCD DECODER	
103.4918	74C918 ¹	DUAL CMOS DRIVER 30V	
103.4922	74C922	16 KEY ENCODER	
103.4923	74C923 ¹	20 KEY ENCODER	
103.4925	74C925 ¹	4 DIG. COUNT./7 SGM OUT	
103.4926	74C926 ¹	4 DIG. COUNT./7 SGM OUT	
103.4927	74C927 ¹	4 DIG. COUNT./7 SGM OUT	
103.4928	74C928 ¹	4 DIG. COUNT./7 SGM OUT	
103.4932	74C932	PHASE COMPARATOR	
103.8095	80C951	HEX 3 BUFFER	
103.8096	80C961	HEX 3 S BUFFER	
103.8097	80C971	HEX BUFF TS = CD 40097	
103.8098	80C981		

¹= Artikel niet meer in productie; slecht of niet meer leverbaar.

HCMOS PC74 familie specificaties

De PC74 snelle CMOS familie combineert de lage vermogensdissipatie van de HE4000B familie met de hoge snelheid en DRIVE CAPABILITY van de weinig energie verbruikende Schottky TTL (LSTTL). De familie heeft dezelfde pinconfiguratie als de 54/74 series en is voorzien van dezelfde circuit functies. De basisfamilie van de gebufferde DEVICES, aangeduid als PC74HCXXXXX, werken op CMOS ingangsniveau en met een grote storingsongevoeligheid, te verwaarlozen gemiddelde ruststroom en de voedingsspanning van 2-6 volt. Een groep van de familie aangeduid als PC74HCTXXXXX, met dezelfde eigenschappen en toepassingen als de HC typen, werkt op de standaard TTL voedingsspanning ($5 V \pm 10\%$) en logisch niveau (0,8 tot 2,0 V) waardoor te gebruiken als exacte CMOS vervanging met een lager energieverbruik zonder verlies aan snelheid. Deze typen zijn dan ook geschikt voor het vervangen van TTL door CMOS. Een andere groep, de PC74XXXXX zijn enkel STAGE ongebufferde CMOS vervangende IC's voor toepassing in RC of kristalgestuurde oscillatoren en andere soorten teruggekoppelde schakelingen die werken in de LINEAR MODE.

Eigenschappen:

- Functies en aansluiting gelijk aan de LSTTL en HE4000B familie CMOS circuits
- Standaard CMOS ingang schakelniveaus voor grote storingsongevoeligheid (PC54HC/PC74HC)
- TTL ingang schakelniveaus voor PC74HCT circuits
- Belastbaarheid van uitgangen is 10 LSTTL ingangen voor standaardcircuits (4 mA) en 15 LSTTL ingangen voor buffers (6 mA)
- Gebalanceerde uitgangsconfiguratie voor optimale snelheid en PERFORMANCE
- Frequentiegebied (50 MHz) overeenkomend met LSTTL
- Breed voedingsspanningsgebied: 2 tot 6 V voor PC74HC/HCU circuits $5 V \pm 10\%$ voor PC74HCT circuits
- Groot temperatuurgebied; standaard -40 tot 85 °C (PC74HC/HCUXXXXX)
- Verkrijgbare omhulling: plastic DIL en miniatuur (SO) keramisch (cerdip) DIL
- Ingebouwde beveiliging tegen LATCH UP
- In hoge mate ongevoelig voor elektrostatische ontladingen.

art.nr.	typenr.	omschrijving	brutoprijs in fl.
104.0400	74HC00	QUAD 2-INPUT NAND	
104.0402	74HC02	QUAD 2-INPUT NOR	
104.0403	74HC03	QUAD 2-INPUT NAND	
104.0404	74HC04	HEX INVERTER	
104.9404	74HCU04	HEX INVERTER UNBUFFERED	
104.0405	74HC05	HEX INVERTER	
104.0408	74HC08	QUAD 2-INPUT AND	
104.0410	74HC10	TRIPLE 3-INPUT AND	
104.0411	74HC11	TRIPLE 3-INPUT AND	
104.0414	74HC14	HEX SCHMITT TRIG. INV.	
104.0420	74HC20	DUAL 4-INPUT NAND	
104.0421	74HC21	DUAL 4-INPUT AND	
104.0427	74HC27	TRIPLE 3-INPUT NOR	
104.0430	74HC30	8-INPUT NAND	
104.0432	74HC32	QUAD 2-INPUT OR	
104.0442	74HC42	BCD/DECIMAL DECODER	
104.0451	74HC51	DUAL 4-IMP AND/OR INVERTER	
104.0473	75HC73	DUAL JK MASTER SLAVE FLIP-FLOP	
104.0474	74HC74	DUAL D-TYPE FLIP-FLOP	
104.0475	74HC75	QUAD BISTABLE LATCH	
104.0476	74HC76	DUAL JK FLIP-FLOP	
104.0477	74HC77	4-BIT BISTABLE LATCH	
104.0478	74HC78	DUAL JK FLIP-FLOP	
104.0485	74HC85	4-BIT MAGITUDE COMPARATOR	
104.0486	74HC86	QUAD 2-INPUT EXOR	
104.4107	74HC107	DUAL JK MASTER SLAVE FLIP-FLOP	
104.4109	74HC109	DUAL JK FLIP-FLOP PRESET+CLEAR	
104.4112	74HC112	DUAL JK FLIP-FLOP PRESET+CLEAR	
104.4113	74HC113	DUAL JK FLIP-FLOP WITH PRESET	
104.4114	74HC114	DUAL JK FLIP-FLOP PRESET+CLEAR	

art.nr.	typenr.	omschrijving	brutoprijs in fl.
104.4123	74HC123	DUAL RETRIGGERABLE MONOFLOP	
104.4125	74HC125	QUAD BUS BUFFER	
104.4126	74HC126	QUAD BUS BUFFER	
104.4131	74HC131	QUAD AND DRIVER	
104.4132	74HC132	QUAD 2-INPUT NAND SCHMITT TRIG.	
104.4133	74HC133	11 INPUT NAND	
104.4137	74HC137	3-8 LINE DECOD/DEMULTIPLEXER	
104.4138	74HC138	3-8 LINE DECOD/DEMULTIPLEXER	
104.4139	74HC139	DUAL 2-4 LINE DECOD/DEMULTIPLEX.	
104.4147	74HC147	10-4 LINE PRIORITY ENCODER	
104.4148	74HC148	8-3 LINE PRIORTIY ENCODER	
104.4151	74HC151	8-1 LINE MULTIPLEXER	
104.4153	74HC153	DUAL 4-1 LINE MULTIPLEXER	
104.4154	74HC154	4-16 LINE DECODER/DEMULTIPLEXER	
104.4155	74HC155	2 TO 4 DEMULTIPLEXER	
104.4157	74HC157	QUAD 2-1 LINE MULTIPLEXER	
104.4158	74HC158	QUAD 2-1 LINE MULTIPLEXER INV.	
104.4160	74HC160	SYNCHR 4-BIT DECADE COUNTER	
104.4161	74HC161	SYNCHR 4-BIT BINARY COUNTER	
104.4162	74HC162	SYNCHR 4-BIT DECADE COUNTER	
104.4163	74HC163	SYNCHR 4-BIT BINARY COUNTER	
104.4164	74HC164	8-BIT SHIFT REGISTER (SER IN)	
104.4165	74HC165	8-BIT SHIFT REGISTER (PAR IN)	
104.4166	74HC166	8-BIT SHIFT REGISTER (PAR IN)	
104.4173	74HC173	16-BIT REGISTER FILE	
104.4174	74HC174	HEX D-TYPE FLIP FLOP	
104.4175	74HC175	QUAD D-TYPE FLIP FLOP	
104.4181	74HC181	4-BIT ALU	
104.4182	74HC182	LOOK AHEAD CARRY GENERATOR	
104.4190	74HC190	SYN BCD UP/DOWN COUNTER	
104.4191	74HC191	SYN BINARY UP/DOWN COUNTER	
104.4192	74HC192	SYN DECADE UP/DOWN COUNTER	
104.4193	74HC193	SYN BINARY UP/DOWN COUNTER	
104.4194	74HC194	4-BIT UNIVERSAL SHIFT REGISTER	
104.4195	74HC195	4-BIT PAR ACCESS SHIFT REGISTER	
104.4221	74HC221	DUAL MONOFLOP	
104.4237	74HC237	3-8 LINE DECODER/DEMULTIPLEXER	
104.4238	74HC238	3-8 LINE DECODER/DEMULTIPLEXER	
104.4240	74HC240	OCTAL INVERTER/DRIVER	
104.4241	74HC241	OCTAL DRIVER	
104.4242	74HC242	4-BIT BI-DIR BUS TRANSCEIVER	
104.4243	74HC243	4-BIT BI-DIR BUS TRANSCEIVER	
104.4244	74HC244	OCTAL BUS DRIVER	
104.4245	74HC245	OCTAL BI-DIR BUS TRANSCEIVER	
104.4251	74HC251	8-1 MULTIPLEXER (3-STATE)	
104.4253	74HC253	DUAL 4-1 LINE MULTIPLEXER	
104.4257	74HC257	QUAD 2-1 LINE MULTIPLEXER	
104.4258	74HC258	QUAD 2-1 LINE MULTIPLEXER	
104.4259	74HC259	8-BIT LATCH	
104.4256	74HC266	QUAD 2-IMP EXNOR	
104.4273	74HC273	OCTAL D-TYPE FLIP-FLOP	
104.4279	74HC279	QUAD SR LATCH	
104.4280	74HC280	9 BIT PARITY GENERATOR/CHECKER	
104.4283	74HC283	4-BIT BINARY FULL ADDER	
104.4292	74HC292	30 BIT PROGR. FREQUENCY DIV.	
104.4294	74HC294	16 BIT PROGR. FREQUENCY DIV.	
104.4298	74HC298	QUAD 2 INPUT MULTIPL. + STORE	
104.4299	74HC299	8 BIT UNIV. SHIFT/STORAGE REG.	
104.4354	74HC354	8-INPUT MULTIPLEXER/REGISTER	
104.4356	74HC356	8-INPUT MULTIPLEXER/REGISTER	

TTL HC serie

art.nr.	typenr.	omschrijving	brutoprijs in fl.
104.4365	74HC365	HEX LINE DRIVER	
104.4366	74HC366	HEX INVERTER LINE DRIVER	
104.4367	74HC367	HEX LINE DRIVER	
104.4368	74HC368	HEX INVERTER LINE DRIVER	
104.4373	74HC373	OCTAL D-TYPE FLIP-FLOP	
104.4374	74HC374	OCTAL D-TYPE FLIP-FLOP	
104.4375	74HC375	QUAD D-TYPE FLIP-FLOP	
104.4377	74HC377	OCTAL D-TYPE FLIP-FLOP	
104.4386	74HC386	QUAD 2-INPUT EXOR	
104.4390	74HC390	DUAL DECADE COUNTER	
104.4393	74HC393	DUAL BINARY COUNTER	
104.4423	74HC423	DUAL RETRIGGERABLE MONOFLOP	
104.4533	74HC533	INVERTING 373	
104.4534	74HC534	OCTAL INVERTER D-TYPE FLIP-FLOP	
104.4540	74HC540	OCTAL BUFFER AND LINE DRIVER	
104.4541	74HC541	OCTAL BUFFER/LINE DRIVER	
104.4563	74HC563	LATCH OCTAL D-TYPE TRISTATE	
104.4564	74HC564	FLIP FLOP OCTAL D-TYPE TRISTATE	
104.4573	74HC573	LATCH OCTAL D-TYPE TRISTATE	
104.4574	74HC574	FLIP FLOP OCTAL D-TYPE TRISTATE	

De aansluitingen van de serie HC en HCT komen overeen met de standaard TTL serie of met de CMOS serie voor de nummers 74HC(T)4000 en hoger

art.nr.	typenr.	omschrijving	brutoprijs in fl.
104.4590	74HC590	8 BIT BIN. COUNTER + OUPP. REG.	
104.4592	74HC592 ¹	8 BIT BIN. COUNTER + INPUT REG.	
104.4593	74HC593 ¹	8 BIT BIN. COUNTER + INPUT REG.	
104.4595	74HC595	SHIFT REGISTER 8-BIT PAR. TO SER.	
104.4597	74HC597	SHIFT REGISTER 8-BIT PAR. TO SER.	
104.4620	74HC620	DUAL CONTROL OCTAL BUS RECEIV.	
104.4623	74HC623	DUAL CONTROL OCTAL XCVR TRUE	
104.4640	74HC640	OCTAL INVERTER BUS TRANSCEIVER	
104.4643	74HC643	OCTAL BUS TRANSCEIVER	
104.4646	74HC646	OCTAL BUS TRANSCEIVER/REGISTER	
104.4648	74HC648	OCTAL BUS TRANSCEIVER	
104.4651	74HC651	OCTAL BUS TRANSCEIVER/REGISTER	
104.4652	74HC652	OCTAL BUS TRANSCEIVER/REGISTER	
104.4670	74HC670	4 X 4 REGISTER FILE	
104.4688	74HC688	8-BIT MAGNITUDE COMPARATOR	
104.4690	74HC690	SYNCHR. DECADE COUNTER	
104.4691	74HC691	SYNCHR. BINARY COUNTER	
104.4692	74HC692	SYNCHR. DECADE COUNTER	
104.4693	74HC693	SYNCHR. BINARY COUNTER	
104.4696	74HC696	DECADE COUNTER DIR. CLEAR	

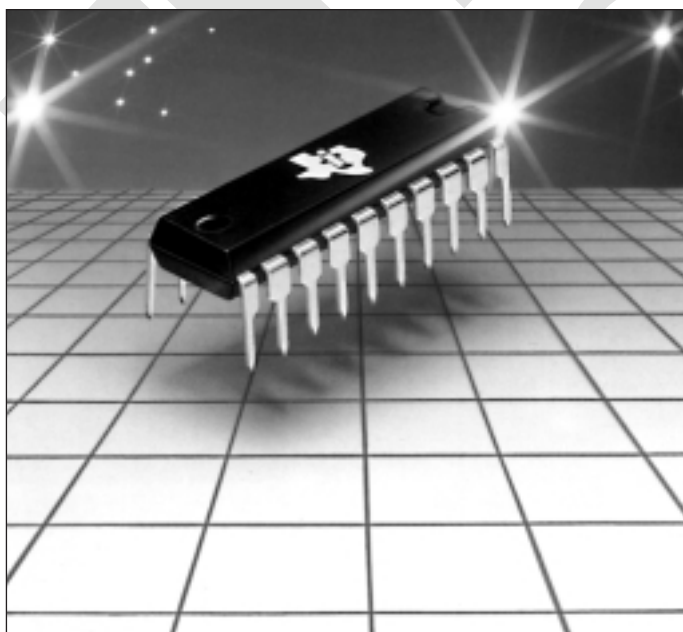
art.nr.	typenr.	omschrijving	brutoprijs in fl.
104.4697	74HC697	SYNCHR. BINARY UP/DOWN COUNT	
104.4698	74HC698	DECADE COUNTER WITH LATCH	
104.4699	74HC699	SYNCHR. BINARY UP/DOWN COUNT	
104.5002	74HC4002	DUAL 4-INP NOR	
104.5016	74HC4016	QUAD ANALOG SWITCHTP	
104.5017	74HC4017	DECADE COUNTER	
104.4020	74HC4020	14-STAGE BINARY COUNTER	
104.5022	74HC4022	OCTAL COUNTER/DIVIDER	
104.5024	74HC4024	7-STAGE RIPPLE COUNTER	
104.5028	74HC4028	BCD/DECIMAL DECODER	
104.5040	74HC4040	12-BIT BINARY RIPPLE COUNTER	
104.5046	74HC4046	PHASE LOCKED LOOPTP	
104.5049	74HC4049	HEX INVERTER/BUFFER	
104.5050	74HC4050	HEX BUFFER	
104.5051	74HC4051	8 CHANNEL ANALOG MULTIPLEXER	
104.5052	74HC4052	DUAL 4 CHANNEL ANAL. MULTIPL.	
104.5053	74HC4053	TRIPLE 2 CHANNEL ANAL. MUX.	
104.5060	74HC4060	14-ST BINARY RIPPLE CNTR/OSC	
104.5066	74HC4066	QUAD BILATERAL SWITCH	
104.5072	74HC4072	DUAL 4-INPUT OR	

art.nr.	typenr.	omschrijving	brutoprijs in fl.
104.5075	74HC4075	TRIPLE 3-INPUT OR	
104.5078	74HC4078	8-INPUT NOR	
104.5094	74hc4094	8 STAGE BUS REGISTER	
104.5316	74HC4316	QUAD ANALOG SWITCH	
104.5351	74HC4351	8 CHANNEL MULTILEXER	
104.5352	74HC4352	DUAL 4 CHANNEL MULTIPLEXER	
104.5353	74HC4353	TRIPLE 2 CHANNEL MULTIPLEXER	
104.5502	74HC4502	HEX INVERTER/BUFFER 3-STATE	
104.5503	74HC4503	HEX BUFFER 3-STATE	
104.5511	74HC4511	BCD/7 SEGMENT LATCH DEC/DR.	
104.5514	74HC4514	4-16 LINE DECODER AND LATCH	
104.5515	74HC4515	4-16 LINE DECODER AND LATCH	
104.5518	74HC4518	DUAL SYNCHR BCD COUNTER	
104.5520	74HC4520	DUAL SYNCHR BINAIRY COUNTER	
104.5538	74HC4538	DUAL PRECISION MONOFLOP	
104.5543	74HC4543	BCD/7 SEGMENT LATCH/DEC./DR.	
104.5724	74HC4724	ADRESSABLE 8 BIT LATCH	
104.7006	74HC7006	3/4 INPUT NAND/NOR	
104.7008	74HC7008	8 SECTION MULTIFUNCTION CIRCUIT	
104.7022	74HC7022	OCTAL COUNTER/DIVIDER	
104.7032	74HC7032	QUAD 2 INPUT OR	
104.7074	74HC7074 ¹	6 SECTION MULTIFUNCTION CIRCUIT	
104.7075	74HC7075	6 SECTION MULTIFUNCTION CIRCUIT	
104.7076	74HC7076	6 SECTION MULTIFUNCTION CIRCUIT	
104.7266	74HC7266	HC266 WITH TOTEM POLE OUTPUT	
104.7292	74HC7292	PROGRAMMABLE DRIVER/TIMER	
104.7294	74HC7294	PROGRAMMABLE DRIVER/TIMER	
104.8202	74HC40102	8 BIT SYNCHR BCD COUNTER	
104.8203	74HC40103	8 BIT SYNCHR BIN COUNTER	
104.8204	74HC40104	4 BIT BIDIR SHIFT REGISTER	

¹= Artikel niet meer in productie; slecht of niet meer leverbaar.

art.nr.	typenr.	omschrijving	brutoprijs in fl.	art.nr.	typenr.	omschrijving	brutoprijs in fl.
105.0400	74HCT00	QUAD 2 INPUT NAND		105.4132	74HCT132	QUAD 2-NAND SCHMITT TRIG.	
105.0401	74HCT01'	QUAD 2 INPUT NAND		105.4137	74HCT137	3-8 LINE DECODER/DEMULTIPL.	
105.0402	74HCT02	QUAD 2 INPUT NOR		105.4138	74HCT138	3-8 LINE DECODER/DEMULTIPL.	
105.0403	74HCT03	QUAD 2 INPUT NAND		105.4139	74HCT139	DUAL 2 TO 4 MULTIPLEXER	
105.0404	74HCT04	HEX INVERTER		105.4147	74HCT147	10 TO 4 PRIORITY ENCODER	
105.0405	74HCT05'	HEX INVERTER		105.4148	74HCT148'	8 TO 3 PRIORITY/ENCODER	
105.0407	74HCT07'	HEX BUFFER / DRIVER 30 VOLT		105.4151	74HCT151	1 OF 8 BIT DATASELECTOR	
105.0408	74HCT08	QUAD 2 INPUT AND		105.4153	74HCT153	DUAL 4 TO 1 SEL/MULTIPL.	
105.0409	74HCT09	QUAD 2 INPUT AND		105.4154	74HCT154	4 TO 16 DEMULTIPLEXER	
105.0410	74HCT10	TRIPLE 2 INPUT NAND		105.4155	74HCT155'	2 TO 4 DEMULTIPLEXER	
105.0411	74HCT11	TRIPLE 2 INPUT NAND		105.4157	74HCT157	QUAD 2 TO 1 SEL/DEMULTIPL.	
105.0412	74HCT12'	TRIPLE 2 INPUT NAND		105.4158	74HCT158	QUAD 2 TO 1 SEL/DEMLTPLXR INV	
105.0414	74HCT14	HEX SCHMITT INVERTER		105.4160	74HCT160	4 BIT COUNTER DEC DIR. CLEAR	
105.0420	74HCT20	DUAL 4 INPUT NAND		105.4161	74HCT161	4 BIT BINAIRY COUNTER DIR. CL.	
105.0421	74HCT21	DUAL 4 INPUT AND		105.4162	74HCT162	4 BIT DECADE COUNTER SYNC. CL.	
105.0422	74HCT22'	DUAL 4 INPUT NAND		105.4163	74HCT163'	4 BIT BINAIRY COUNTER SYNC. CL.	
105.0427	74HCT27	TRIPLE 2 INPUT NOR EXPAND.		105.4164	74HCT164	8 BIT SHIFT REGISTER SIPO	
105.0432	74HCT32	QUAD 2 INPUT OR		105.4165	74HCT165	8 BIT SHIFT REGISTER PISO	
105.0442	74HCT42	BCD TO DECIMAL DECODER		105.4166	74HCT166	8 BIT SHIFT REGISTER PISO	
105.0451	74HCT51'	DUAL 2 WIDE 2 INPUT AND/OR/INV		105.4168	74HCT168'	4 BIT SYNC DECADE COUNTER	
105.0458	74HCT58'	AND OR GATE		105.4169	74HCT169'	4 BIT SYNC BINAIRY COUNTER	
105.0473	74HCT73	DUAL JK-FLIP FLOP + CLEAR		105.4173	74HCT173	4 BIT LATCH	
105.0474	74HCT74	DUAL D-TYPE FLIP FLOP + CLEAR		105.4174	74HCT174	HEX D-TYPE FLIP FLOP	
105.0475	74HCT75	QUAD LATCH		105.4175	74HCT175	QUAD D-FLIP FLOP	
105.0476	74HCT76'	DUAL JK-FLIP FLOP + PR.+ CLEAR		105.4181	74HCT181	4 BIT ARITHMETIC LOGIC UNIT	
105.0478	74HCT78'	DUAL JK-FLIP FLOP		105.4182	74HCT182	CARRY LOOK AHEAD UNIT	
105.0485	74HCT85	4 BIT COMPARATOR		105.4190	74HCT190	REVERSABLE DECADE COUNTER	
105.0486	74HCT86	QUAD EXOR		105.4191	74HCT191	BINAIRE UP / DOWN COUNTER	
105.4107	74HCT107	DUAL JK-FLIP FLOP + CLEAR		105.4192	74HCT192	REVERSABLE DECADE COUNTER	
105.4109	74HCT109	DUAL JF-FLIP FLOP +PR. + CLEAR		105.4193	74HCT193	DUAL UP / DOWN CLOCK COUNTER	
105.4112	74HCT112	DUAL JK-FLIP FLOP +PR. + CLEAR		105.4194	74HCT194	4 BIT BINAIRY SHIFT REGISTER	
105.4121	74HCT121'	MONOSTABLE MULTIVIBR.		105.4195	74HCT195	4 BIT PA SHIFT REGISTER	
105.4123	74HCT123	DUAL RETR MONOST. MULTIVIBR.		105.4210	74HCT210'	OCTAL BUFFER AND LINE DRIVER	
105.4125	74HCT125	QUAD BUS BUFFER		105.4221	74HCT221	DUAL MONOSTABLE MULTIVIBRATOR16	
105.4126	74HCT126	QUAD BUS BUFFER		105.4237	74HCT237	3 TO 8 LINE DECODER/DEMULTIPL.	
				105.4238	74HCT238	3 TO 8 LINE DECODER / DEMULTIPL.	
				105.4239	74HCT239'	DUAL 2 OF 4 DECODER	
				105.4240	74HCT240	OCTAL INVERTER / DRIVER	
				105.4241	74HCT241	OCTAL BUFFER NON INVERT.	
				105.4242	74HCT242	QUAD BUS TRANSCEIVER INVERTER	
				105.4243	74HCT243	QUAD BUS TRANSCEIVER NON INV.	
				105.4244	74HCT244	OCTAL BUS DRIVER	
				105.4245	74HCT245	OCTAL BI-DIR. BUS TRANSCEIVER	
				105.4251	74HCT251	8 TO 1 DEMULTIPLEXER	
				105.4253	74HCT253	DUAL 4 TO 1 MULTIPLEXER	
				105.4257	74HCT257	DUAL SEL MULTIPL..	
				105.4258	74HCT258	QUAD SEL MULTIPL. INVERTER	
				105.4259	74HCT259	8 BIT LATCH	
				105.4266	74HCT266'	QUAD 2 INPUT EXNOR	
				105.4273	74HCT273	OATL D TYPE FF WITH CLEAR	
				105.4280	74HCT280	9 BIT PARITY CHECKER	
				105.4283	74HCT283	4 BIT FULL ADDER	
				105.4297	74HCT297	DIGITAL PHASED LOCKER LOOP	
				105.4299	74HCT299	8 BIT BIDIRECT. SHIFT REGISTER	
				105.4352	74HCT352'	DUAL 4 TO 1 LINE SELECTOR	
				105.4353	74HCT353'	DUAL 4 TO 1 LINE SELECTOR	
				105.4354	74HCT354	8 TO 1 LINE DATA SEL/MULT/REG	
				105.4356	74HCT256	8 TO 1 LINE DATA SEL/MULT/REG D	
				105.4365	74HCT365	HEX BUS DRIVER	
				105.4366	74HCT366	HEX BUS DRIVER INVERTER	

De aansluitingen van de serie HC en HCT komen overeen met de standaard TTL serie of met de CMOS serie voor de nummers 74HC(T)4000 en hoger



TTL HCT serie

74HCT - replacements for LSTTL

Safe driving - interface requirements

TO

	HC 5 V supply	HCT 5 V supply	HE4000B 5 V supply	HE4000B 6-15 V supply	TTL* 5 V supply	ECL 10K
FROM						
HC 5 V supply	direct	direct	direct	4104	direct	10124
HCT 5 V supply	direct	direct	direct	4104	direct	10124
HE4000B 5 V supply	direct	direct	direct	4104	direct	10124
HE4000B 6-15 V supply	4049 or 4050	4049 or 4050	4049 or 4050	direct	4049 or 4050	transistor
TTL* 5 V supply	pull-up resistor	direct	pull-up resistor	4104	direct	10124
ECL 10K	10125	10125	10125	transistor	10124	direct

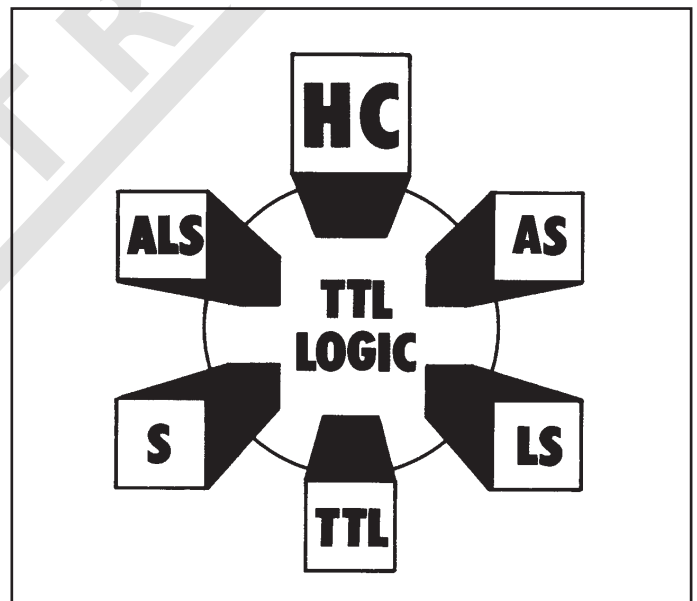
* Includes LS, S, STD, FAST, ALS and AS.

COMPARISON OF DIGITAL IC's COMPRISING FOUR NAND GATES

	metal gate 4000B	Si-gate HE4000B	LSTTL 54/74LS	HCMOS PC54/74
Supply voltage range (Vcc)	3-15 V	3-15 V	5 V ± 5% (com.) 5 V ± 10% (mil.)	2-6 V (HC/HCU) 5 V ± 10% (HCT)
Typical quiescent dissipation per gate	2.5 nW	2.5 nW	2 mW	2.5 nW
Max. quiescent current per package at 85 °C	7.5 µA	7.5 µA	3 mA*	20 µA
Typical power dissipation per gate (Vcc = 5 V, CL = 50 pF)				
at 10 kHz	25 µW	16 µA	2 mW	14 µA
at 100 kHz	250 µW	160 µA	2 mW	140 µA
at 1 MHz	2.5 mW	1.6 mW	2.8 mW	1.4 mW
at 10 MHz	—	—	12.5 mW	14 mW
Typical propagation delay				
CL = 15 pF	90 ns	36 ns	10 ns	9 ns
CL = 100 pF	175 ns	83 ns	17 ns	11.5 ns
Fan-out (TTL loads)	1	1	10	10
Max. operating frequency with CL = 5 pF	3 MHz	5 MHz	25 MHz	25 MHz
Worst-case noise margin			—	
VN low (% Vcc)	29	29	8	18*
VN high (% VCC)	29	29	14	28*
Operating temperature range				
standard (°C)	-40 to +85	-40 to +85	0 to +70	-40 to +85
extended (°C)	-55 to +125	-55 to +125	-55 to +125	-55 to +125
* 50% of gates in the HIGH state				

* HC/HCU only

art.nr.	typenr.	omschrijving	brutoprijs in fl.	art.nr.	typenr.	omschrijving	brutoprijs in fl.
105.4367	74HCT367	HEX BUS DRIVER		105.5020	74HCT4020	14 STAGE BINAIRY COUNTER	
105.4368	74HCT368	HEX BUS DRIVER INVERTER		105.5024	74HCT4024	7 STAGE RIPPLE COUNTER	
105.4373	74HCT373	OCTAL D-TYPE FLIP FLOP		105.5040	74HCT4040	12 BIT BINAIRY COUNTER	
105.4374	74HCT374	OCTAL D-TYPE FLIP FLOP		105.5046	74HCT4046	PHASE LOCKED LOOP	
105.4377	74HCT377	OCTAL D-TYPE FLIP FLOP + CLEAR		105.5049	74HCT4049	HEX INVERTING BUFFER	
105.4390	74HCT390	DUAL DECADE COUNTER		105.5050	74HCT4050	HEX BUFFER NON INVERTING	
105.4393	74HCT393	DUAL 4 BIT BINAIRY COUNTER		105.5051	74HCT4051	8 CHANNEL ANALOG MULTIPL.	
105.4399	74HCT399'	QUAD 2 MULTIPLEXER		105.5052	74HCT4052	DUAL 4 CHAN. ANALOG MULTIPL.	
105.4423	74HCT423	MULTIVIBRATOR		105.5053	74HCT4053	TRIPLE 2 CHANNEL ANAL. MULTIPL.	
105.4465	74HCT465'	OCTAL BUFFER TRUE LOGIC		105.5059	74HCT4059	PROG. DIVIDE BIJ N COUNTER	
105.4466	74HCT466'	OCTAL BUFFER INVERTING LOGIC		105.5060	74HCT4060	14 STAGE BINAIRY COUNTER	
105.4467	74HCT467'	OCTAL BUFFER (=81LS97)		105.5066	74HCT4066	QUAD ANALOG SWITCH	
105.4468	74HCT468'	OCTAL BUFFER (=81LS98)		105.5067	74HCT4067	16 CHANNEL MULTIPLEXER	
105.4518	74HCT518'	OCTAL COMPARATOR		105.5075	74HCT4075	TRIPLE TREE INPUT OR	
105.4519	74HCT519'	OCTAL COMPARATOR		105.5094	74HCT4094	8 STAGE BUS REGISTER	
105.4522	74HCT522'	OCTAL COMPARATOR		105.6016	74HCT4316	QUAD ANALOG SWITCH	
105.4533	74HCT533	OCTAL TRANSP. LATCH INVERT.		105.6051	74HCT4351	8 CHANNEL MULTIPLEXER	
105.4534	74HCT534	OCTAL D-TYPE FLIP FLOP INVERT.		105.6052	74HCT4352	DUAL 4 CHANNEL MULTIPLEXER	
105.4540	74HCT540	OCTAL INV. BUFFER/LINE DRIVER		105.6053	74HCT4353	TRIPLE 2 CHANNEL MULTIPLEXER	
105.4541	74HCT541	OCTAL BUFFER/LINE DRIVER		105.6511	74HCT4511	BCD/SEVEN SEG. LATCH/DEC/DRIVER	
105.4563	74HCT563	INVERT. OCTAL D-TYPE FLIP FLOP		105.6514	74HCT4514	4 BIT LATCH/ 4 TO 16 LINE DEC.	
105.4564	74HCT564	OCTAL INVERTER D-TYPE FLIP-FLOP		105.6515	74HCT4515	4 BIT LATCH/ 4 TO 16 LINE DEC.	
105.4573	74HCT573	OCTAL TRANSPARANT LATCH		105.6516	74HCT4516	BINAIRY UP/DOWN COUNTER	
105.4574	74HCT574	OCTAL D-TYPE FLIP-FLOP		105.6518	74HCT4518	DUAL SYNCHRONIUS BCD COUN.	
105.4590	74HCT590'	8 BIT BINAIRY COUNTER/REGISTER		105.6520	74HCT4520	DUAL SYNCHRONIUS BIN. COUN.	
105.4591	74HCT591'	8 BIT BINAIRY COUNTER/REGISTER		105.6538	74HCT4538	DUAL MONOSTABLE MULTIVIB.	
105.4592	74HCT592'	8 BIT BIN. COUNTER/REGISTER IN		105.6543	74HCT4543	BCD/SEVEN SEGM. DRIVER FOR LCD	
105.4593	74HCT593'	8 BIT BIN. COUNTER/REGISTER IN		105.7007	74HCT7007	HEX BUFFER	
105.4595	74HCT595'	8 BIT SHIFT REG. OUTPUT LATCH		105.7403	74HCT7403	4 BIT X 64 WORD FIFO REG.	
105.4596	74HCT596'	8 BIT SHIFT REGI. OUTPUT LATCH		105.7404	74HCT7404	5 BIT X 64 WORD FIFO REG.	
105.4597	74HCT597	8 BIT SHIFT REG. INPUT LATCH		105.7597	74HCT7579	8 BIT SHIFT REGISTER	
105.4612	74HCT612	MEMORY MAPPER WITHOUT LATH		105.9102	74HCT40102	8 BIT SYNCHR. BCD DOWN COUNT.	
105.4620	74HCT620	DUAL CONTROLXCVRINTERTING		105.9103	74HCT40103	8 BIT SYNCHR. BIN. DOWN COUNT.	
105.4623	74HCT623	DUAL CONTROL OCTAL XCVR		105.9104	74HCT40104	4 BIT BIDIRECTIONAL SHIFT REG.	
105.4640	74HCT640	OCTAL INVERTER BUS TRANSC.		105.9105	74HCT40105	4 X 16 FIFO	
105.4643	74HCT643	OCTAL INVERTER BUS TRANSC.					
105.4645	74HCT645	OCTAL BUS TRANSCEIVER					
105.4646	74HCT646	OCTAL BUS TRANSCEIVER/REG.					
105.4648	74HCT648	OCTAL INV.BUS TRANSCEIVER/REG.					
105.4651	74HCT651	OCTAL BUS TRANSCEIVER/REG.					
105.4652	74HCT652	OCTAL BUS TRANSCEIVER/REG.					
105.4658	74HCT658	8/9 BIT TRANSCEIVER					
105.4659	74HCT659	8/9 BIT TRANSCEIVER					
105.4664	74HCT664	8/9 BIT TRANSCEIVER					
105.4665	74HCT665	8/9 BIT TRANSCEIVER					
105.4670	74HCT670	4 X 4 REGISTER FILES					
105.4679	74HCT679'	ADDRESS COMPARATOR					
105.4680	74HCT680'	12 BIT ADDRESS COMPARATOR					
105.4682	74HCT682'	8 BIT MAGNITUDE COMPARATOR					
105.4684	74HCT684'	8 BIT MAGNITUDE COMPARATOR					
105.4686	74HCT686'	8 BIT MAGNITUDE COMPARATOR					
105.4688	74HCT688'	8 BIT MAGNITUDE COMPARATOR					
105.4689	74HCT689'	8 BIT MAGNITUDE COMPARATOR					
105.4793	74HCT793'	OCTAL LATCH WITH READBACK					
105.4794	74HCT794'	OCTAL LATCH/REG. WITH READB.					
105.4821	74HCT821'	10 BIT SHIFT REGISTER					
105.4822	74HCT822'	10 BIT SHIFT REGISTER					
105.4823	74HCT823'	9 BIT BUS INTERFACE FLIP FLOP					
105.4824	74HCT824'	9 BIT BUS INTERFACE FLIP FLOP					
105.4825	74HCT825'	8 BIT BUS INTERFACE FLIP FLOP					
105.4826	74HCT826'	8 BIT BUS INTERFACE FLIP FLOP					
105.4841	74HCT841'	10 BIT BUS INTERFACE + D-LATCH					
105.4842	74HCT842'	10 BIT BUS INTERFACE + D-LATCH					
105.4843	74HCT843'	9 BIT BUS INTERFACE + D-LATCH					
105.4844	74HCT844'	9 BIT BUS INTERFACE + D-LATCH					
105.5002	74HCT4002	DUAL 4 INPUT NOR					
105.5015	74HCT4015	DUAL 4 BIT SHIFT REGISTER					
105.5016	74HCT4016	QUAD ANALOG SWITCH					
105.5017	74HCT4017	DECADE COUNTER					



¹= Artikel niet meer in productie; slecht of niet meer leverbaar.

CMOS HE4000 reeks specificaties

De LOCMOS HE4000B reeks is een volledig gebufferd digitaal geïntegreerde circuitreeks volgens de Jedec-B specificatie. De typen van deze reeks zijn exacte vervangers voor de bekende CMOS 4000 en 14500 series. De HE reeks heeft dezelfde voordelen als de conventionele CMOS schakelingen, plus de extra LOCMOS voordelen. Aanbevolen voedingsspanning 3 tot 5 V. LOCMOS betekent Local Oxidatie Complementaire MOS. in- en uitgangen zijn beschermd tegen elektrostatische effecten in een breed gebied van toepassingen. Echter om geheel zeker te zijn is het wenselijk de normale voorzorgsmaatregelen in acht te nemen.

Gunstige eigenschappen van de (LO)CMOS

- Gering energieverbruik; gemiddeld 10 nW per poort (statisch)
- Groot voedingsspanningsgebied
- Groot temperatuurbereik:
 - 40 tot + 85 °C voor standaard temperatuurbereik (HEF)
 - 55 tot + 125 °C voor speciaal temperatuurbereik (HEC)
- Grote belastbaarheid van de uitgangen
- In- en uitgangen zijn beschermd tegen elektrostatische spanningen.

Bovendien heeft de LOCMOS HE4000B reeks:

- Gebufferde uitgangen op alle typen
- Grotere snelheid
- Grotere dichtheid van de omhulling; essentieel voor MSI/LSI
- Uitstekende storingsongevoeligheid.

Gegevens

- Grenswaarden in overeenstemming met het absoluut maximumsysteem (IEC 134).

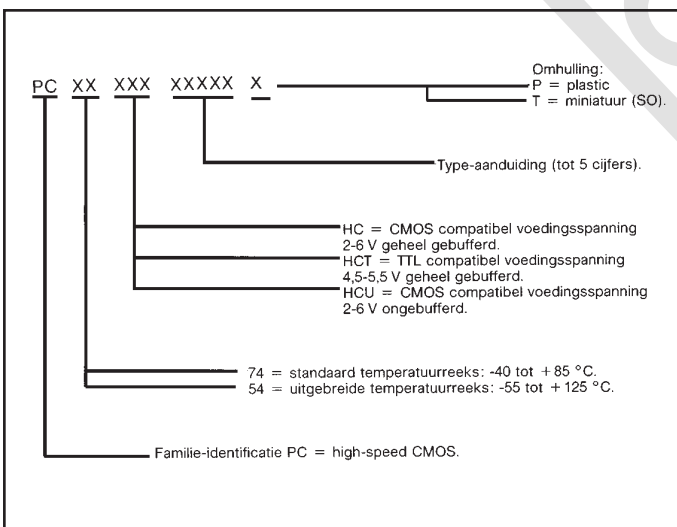
- Voedingsspanningsgebied V_{DD} -0.5 tot + 18 V
- Spanning op elke ingang V_I 0,5 tot (V_{DD} + 0,5) V
- De stroom in elke in- of uitgang ± 1 max. 10 mA

- Vermogensdissipatie per unit voor plastic en keramiek (cerdip) DIL
 - bij $T_{omg} = -40$ tot + 60 °C P_{tot} max. 400 mW
 - bij $T_{omg} = +60$ tot + 85 °C lineair verlagen met 5 mW/K tot 200 mW

- Vermogensdissipatie per unit voor plastic SO miniaturomhulling
 - bij $T_{omg} = -40$ tot + 70 °C P_{tot} max. 200 mW
 - bij $T_{omg} = +70$ tot + 85 °C lineair verlagen met 5 mW/K tot 125 mW

- Vermogensdissipatie per uitgang P_{max} 100 mW
- Werkomgevings-temperatuurbereik T_{omg} -40 tot + 85 °C
- Opslag temperatuurbereik T_{stg} -65 tot + 150 °C

De meeste typen van de HE4000 reeks zijn verkrijgbaar in plastic, keramisch en SO behuizing.



art.nr.	typenr.	omschrijving	brutoprijs in fl.
107.0000	CD 4000	DUAL 3 INPUT NOR INVERTER	
107.0001	CD 4001	QUAD 2 INPUT NOR	
107.0002	CD 4002	DUAL 4 INPUT NOR	
107.0006	CD 4006	18 BIT STATIC SHIFT REGISTER	
107.0007	CD 4007	DUAL COMPLEMENT. PAIR + INV.	
107.0008	CD 4008	4 BIT BIN FULL ADDER	
107.0009	CD 4009	HEX BUFFER/CONVERT INVERT.	
107.0010	CD 4010	HEX BUFFER/CONV. NON INV.	
107.0011	CD 4011	QUAD 2 INPUT NAND	
107.0012	CD 4012	DUAL 4 INPUT NAND	
107.0013	CD 4013	DUAL D-TYPE FLIPFLOP	
107.0014	CD 4014	8 BIT SHIFT REGISTER	
107.0015	CD 4015	DUAL 4-BIT SHIFT REGISTER	
107.0016	CD 4016	QUAD ANALOG SWITCH/MULTIPL.	
107.0017	CD 4017	DECADE COUNTER DIVIDER	
107.0018	CD 4018	PRESET. DIV. BY N COUNTER	
107.0019	CD 4019	QUAD AND / OR SELECT	
107.0020	CD 4020	14-STATE BINAIRY COUNTER	
107.0021	CD 4021	8 BIT STATIC SHIFT REGISTER	
107.0022	CD 4022	OCTAL COUNTER DIVIDER	
107.0023	CD 4023	TRIPLE 3 INPUT NAND	
107.0024	CD 4024	7 STATE BINAIRY COUNTER	
107.0025	CD 4025	TRIPLE 3 INPUT NOR	
107.0026	CD 4026	DECADE COUNTER DIVIDER	
107.0027	CD 4027	DUAL JK MASTER SLAVE FF	
107.0028	CD 4028	BCD / DECIMAL DECODER	
107.0029	CD 4029	PRESETTABLE UP/DOWN COUNT.	
107.0030	CD 4030	QUAD XOR	
107.0031	CD 4031	64 STATE SHIFT REGISTER	
107.0032	CD 4032	TRIPLE SERIAL ADDER	
107.0033	CD 4033	DECODER COUNTER / DIVIDER	
107.0034	CD 4034	8 STATE SHIFT REGISTER	

Het kan voorkomen dat om redenen van uitverkocht, tijdelijk niet leverbaar e.d. sommige artikelen niet in voorraad zijn. Wij kunnen dan eenzelfde component van een ander fabrikant leveren. Hierdoor zijn geringe afwijkingen in specificaties, maatvoering en prijs mogelijk.

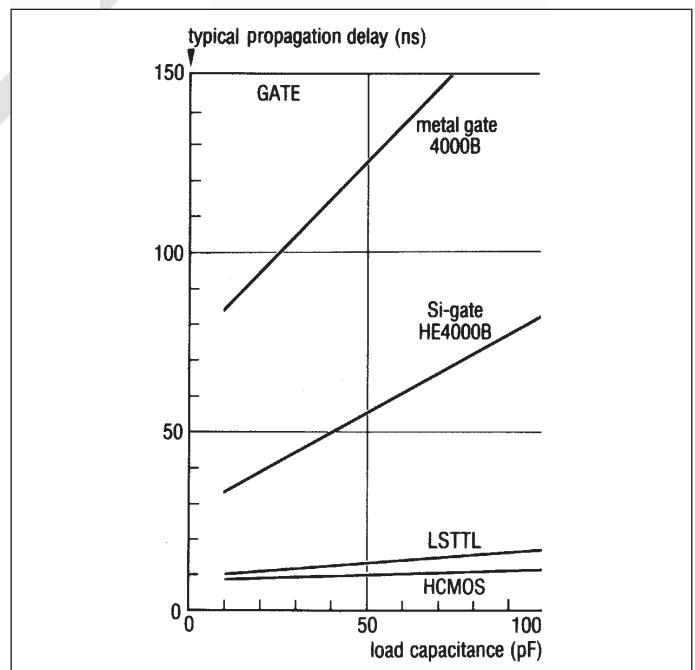
Bestellen...?



- Telefoon: 079-3422611
- Fax: 079-3425625
- On-line: <http://www.telec.nl>

art.nr.	typenr.	omschrijving	brutoprijs in fl.	art.nr.	typenr.	omschrijving	brutoprijs in fl.
107.0035	CD 4035	4 BIT SHIFT REGISTER		107.0518	CD 4518	DUAL BCD COUNTER	
107.0036	CD 4036 ¹	4 X 8 BIT RAM		107.0519	CD 4519	QUAD 2 INPUT MULTIPLEXER	
107.0037	CD 4037 ¹	TRIPLE AND OR PAIRS		107.0520	CD 4520	DUAL BINARY COUNTER	
107.0038	CD 4038	TRIPLE SERIAL ADDER		107.0521	CD 4521	24 STATE FREQUENCY DIVIDER	
107.0039	CD 4039 ¹	4 X 8 BIT RAM					
107.0040	CD 4040	12 STATE BINARY COUNTER		107.0522	CD 4522	4 BIT BCD COUNTER PROGR.	
107.0041	CD 4041	QUAD TRUE COMPL. BUFFER		107.0526	CD 4526	4 BIT BIN COUNTER PROGR.	
107.0042	CD 4042	QUAD D LATCH		107.0527	CD 4527	BCD RATE MULTIPLEXER	
107.0043	CD 4043	QUAD RS LATCH TS		107.0528	CD 4528	DUAL MONOST. MULTIVIBR.	
107.0044	CD 4044	QUAD RS LATCH TS		107.0529	CD 4529 ¹	2 X 4 ANALOG SWITCH	
107.0045	CD 4045	21 ST RIPPLE COUNTER		107.0530	CD 4530 ¹	2 X 5 INPUT LOGIC GATE	
107.0046	CD 4046	PHASE LOCKED LOOP		107.0531	CD 4531	13 INPUT PARATY TREE	
107.0047	CD 4047	MONOST. ASTABLE MULTIVIBR.		107.0532	CD 4532	8 INPUT PRIORITY ENCODER	
107.0048	CD 4048	HEX BUFFER CONV. INVERTER		107.0534	CD 4534 ¹	5 DECADE COUNTER REAL TIME	
107.0049	CD 4049	HEX BUFFER INVERTER		107.0536	CD 4536	PROGRAMMABLE TIMER	
107.0050	CD 4050	HEX BUFFER		107.0538	CD 4538	DUAL MST MULTIVIBRATOR PREC	
107.0051	CD 4051	8 CH ANALOG MULTIPLEXER		107.0539	CD 4539	DUAL 4 INPUT MULTIPLEXER	
107.0052	CD 4052	DUAL 4 CH AN MULTIPLEXER		107.0541	CD 4541	PROGRAMMABLE TIMER	
107.0053	CD 4053	TRIPLE 2 CH AN MULTIPLEXER		107.0543	CD 4543	BCD TO 7 SEG LCD DEC. DRIVER	
107.0054	CD 4054	4 LINE LCD DRIVER		107.0547	CD 4547 ¹	7 SEGM DECODER LATCH	
107.0055	CD 4055	BCD TO 7 SEGM LCD DRIVER		107.0549	CD 4549 ¹	SUCC APPR REG SAR	
107.0056	CD 4056	BCD TO 7 SEGM LCD DRIVER		107.0551	CD 4551 ¹	4 X CH. ANALOG SWITCH	
107.0059	CD 4059 ¹	N COUNTER PROGRAMMABLE		107.0552	CD 4552 ¹	64 X 4 RAM	
107.0060	CD 4060	COUNTER 14-BIT BINARY		107.0553	CD 4553 ¹	3 DIGIT BCD COUNTER	
107.0062	CD 4062 ¹	14 ST BIN CNTR OSCILLATOR		107.0554	CD 4554 ¹	BINARY MULTIPLIER	
107.0063	CD 4063 ¹	4 BIT MAGNITUDE		107.0555	CD 4555	DUAL 1 OF 4 DEC/DEMLTPLXR	
		COMPARATOR		107.0556	CD 4556	DUAL 1 OF 4 DEC/DEMLTPLXR	
107.0066	CD 4066	QUAD BILATERALE LATCH		107.0557	CD 4557	1 TO 64 VAR SHIFT REGISTER	
107.0067	CD 4067 ¹	16 CH ANALOG MULTIPLEXER		107.0558	CD 4558 ¹	7 SEGMENT DECODER	
107.0068	CD 4068	8 INPUT NAND		107.0559	CD 4559	SARE	
107.0069	CD 4069	HEX INVERTER (=74C04)		107.0560	CD 4560	BCD ADDER	
107.0070	CD 4070	QUAD XOR		107.0561	CD 4561 ¹	9 COMPLEMENTAR	
107.0071	CD 4071	QUAD 2 INPUT OR		107.0562	CD 4562 ¹	128 BIT SHIFT REGISTER	
107.0072	CD 4072	DUAL 4 INPUT OR		107.0563	CD 4563 ¹	128 BIT SHIFT REGISTER	
107.0073	CD 4073	TRIPLE 3 INPUT AND		107.0566	CD 4566	TIME BASE GENERATOR	
107.0075	CD 4075	TRIPLE 3 INPUT OR		107.0568	CD 4568 ¹	PROGRAMMABLE COUNTER	
107.0076	CD 4076	QUAD D REG TS (=74C173)		107.0569	CD 4569	DUAL PROGRAM. COUNTER	
107.0077	CD 4077	QUAD XOR		107.0572	CD 4572 ¹	HEX MIXED GATE	
107.0078	CD 4078	8 INPUT NOR		107.0573	CD 4573 ¹	QUAD PROGRAMMABLE AMP	
107.0081	CD 4081	QUAD 2 INPUT AND		107.0574	CD 4574 ¹	QUAD PROGRAMMABLE COMP.	
107.0082	CD 4082	DUAL 4 INPUT AND		107.0575	CD 4575 ¹	DUAL PROGRAMMABLE AMP	
107.0085	CD 4085	DUAL 2 WIDE 2 INPUT AND / OR		107.0580	CD 4580 ¹	4 X 4 REGISTER	
107.0086	CD 4086	4 WIDE 2 AND / OR INVERTER		107.0581	CD 4581	4 BIT ALU	
107.0089	CD 4089	BINARY RATE MULTIPLEXER		107.0582	CD 4582	LOOK AHEAD GENERATOR	
107.0093	CD 4093	QUAD 2 INPUT NAND SCHM.TR.		107.0583	CD 4583 ¹	DUAL SCHMITT TRIGGER	
107.0094	CD 4094	8 BIT STATIC SHIFT REGISTER					
107.0095	CD 4095	GATED JK MASTER SLAVE FF					
107.0096	CD 4096	GATED JK MASTER SLAVE FF					
107.0097	CD 4097	8 CH MULTIPLEXER DIFFERENT.					
107.0098	CD 4098	DUAL MONOST. MULTIVIBRATOR					
107.0099	CD 4099	8 BIT ADDRESSABLE LATCH					
107.0104	CD 4104	QUAD LO TO HI VOLT TRANSL.					
107.0174	CD 4174	HEX D FLIPFLOP					
107.0175	CD 4175	QUAD D FLIPFLOP					
107.0494	CD 4194	4 BIT UNIVERSAL SHIFT REG.					
107.0501	CD 4501 ¹	TRIPLE MIXED GATES					
107.0502	CD 4502	HEX INVERTER BUFFER					
		STROBED					
107.0503	CD 4503	HEX BUFFER 3 STATE					
107.0504	CD 4504 ¹	HEX LEVEL SHIFTER					
107.0505	CD 4505	64 X 1 BIT RAM					
107.0506	CD 4506	DUAL AND-OR-INVERT GATE					
107.0507	CD 4507	QUAD EX / OR GATE					
107.0508	CD 4508	DUAL 4 BIT LATCH					
107.0509	CD 4510	BCD COUNTER					
107.0511	CD 4511	BCD TO 7 SEGM DEC. DRIVER					
107.0512	CD 4512	8 CHANNEL DATA SELECTOR					
107.0516	CD 4516	BINARY UP/DOWN COUNTER					
107.0517	CD 4517	DUAL 64 BIT SHIFT REGISTER					

¹= Artikel niet meer in productie; slecht of niet meer leverbaar.

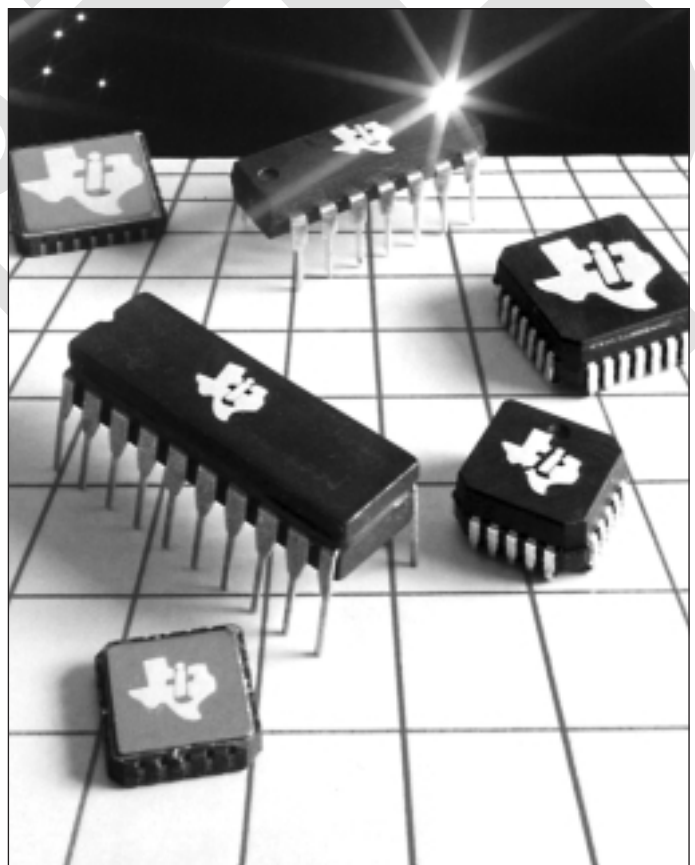
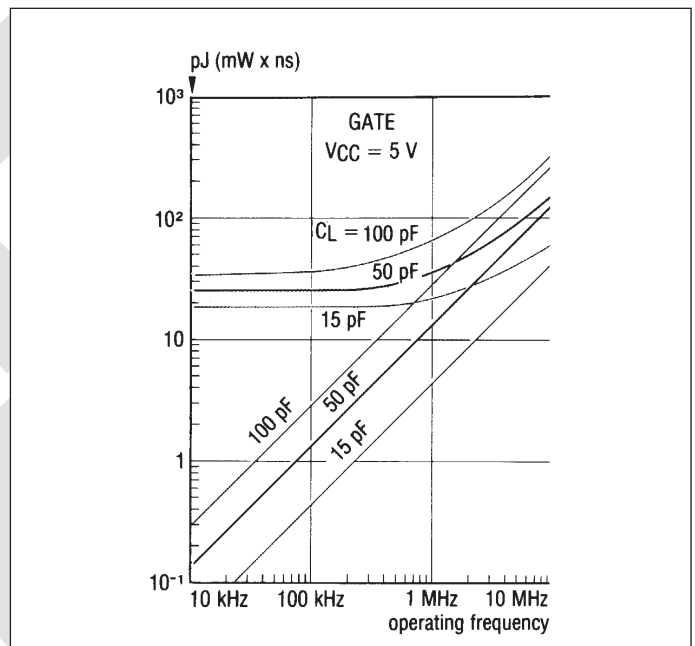


Cmos serie

art.nr.	typenr.	omschrijving	brutoprijs in fl.
107.0584	CD 4584	HEX SCHMITT TRIGGER	
107.0585	CD 4585	4 BIT MAGNITUDE COMP.	
107.0597	CD 45971	8 BIT COUNTER LATCH	
107.0598	CD 45981	8 BIT ADDRESSABLE LATCH	
107.0599	CD 45991	8 BIT ADDRESSABLE LATCH	
107.0702	CD 47021	BIT RATE GENERATOR	
107.0703	CD 47031	16 X 4 BIT FIFO	
107.0704	CD 47041	DATA PATH SWITCH	
107.0705	CD 47051	STACK REGISTER	
107.0706	CD 47061	16 X 4 BIT LIFO	
107.0707	CD 47071	DATA REGISTER	
107.0708	CD 47081	10 BIT SEQUENCER	
107.0710	CD 47101	16 X 4 RAM	
107.0720	CD 4720	256 X 1 RAM	
107.0721	CD 47211	256 X 4 RAM	
107.0722	CD 47221	PROGRAMMABLE TIMER	
107.0723	CD 47231	2 X 4 BIT LATCH	
107.0724	CD 4724	8 BITS LATCH	
107.0725	CD 47251	16 X 4 BIT RAM	
107.0727	CD 4727	7 STATE COUNTER	
107.0731	CD 4731	QUAD 64 BIT SHIFT REGISTER	
107.0734	CD 47341	7 SEGMENT DECODER/LATCH	
107.0735	CD 47351	256 X 8 ROM	
107.0736	CD 47361	1024 X 1 RAM	
107.0737	CD 4737	QUAD STATIC DEC/COUNTER	
107.0738	CD 4738	IEC/IEEE BUS INTERFACE	
107.0739	CD 4739B	DIGITAL VOLTMETER CIRCUIT	
107.0741	CD 4741	4 X 4 CROSSPOINT SWITCH	
107.0750	CD 4750	FREQUENTIE SYNTHESIZER	
107.0751	CD 4751	UNIVERSAL DIVIDER	
107.0752	CD 4752	AC MOTOR CONTROL CIRCUIT	
107.0753	CD 4753	UNIVERSAL TIMER MODULE	
107.0754	CD 4754	18 EL BAR GRAPH LCD DRIVER	
107.0755	CD 4755	TRANCEIVER FOR SER. DATA COM	
107.5014	CD 40014	HEX SCHMITT TRIGGER	
107.5085	CD 40085	4 BIT MAGNITUDE COMPARATOR	
107.5095	CD 40095	HEX BUFFER	
107.5096	CD 40096	HEX BUFFER	
107.5097	CD 40097	HEX BUFFER NON INVERTING	
107.5098	CD 40098	HEX BUFFER INVERTING	
107.5100	CD 40100	32 BIT SHIFT REGISTER LEFT/R	
107.5101	CD 40101	9 BIT PARITY GENERATOR	
107.5102	CD 40102	2 DECADE BCD COUNTER + PRE	
107.5103	CD 40103	8 BIT BINAIRY COUNTER	
107.5104	CD 40104	4 BIT BIDIRECTIONAL REGISTER	
107.5105	CD 40105	4 BY 15 FIFO REGISTER	
107.5106	CD 40106	HEX SCHMITT (=74C14)	
107.5107	CD 40107	DUAL 2 INPUT NAND	
107.5108	CD 40108	4 BY 4 MULTIPOINT REGISTER	
107.5109	CD 40109	QUAD LEVEL SHIFTER	
107.5110	CD 40110	DEC COUNTER/DRIVER	
107.5114	CD 40114	16 X 4 BIT RAM	
107.5115	CD 40115	8 BIT TTL INTERFACE	
107.5116	CD 40116	8 BIT TTL INTERFACE	
107.5147	CD 40147	BCD PRIORITY ENCODER	
107.5160	CD 40160	4 BIT DEC COUNTER ASYNC-CL.	
107.5161	CD 40161	4 BIT BIN COUNTER ASYNC-CL.	
107.5162	CD 40162	4 BIT DEC COUNTER SYNC-CL.	
107.5163	CD 40163	4 BIT BIN COUNTER SYNC-CL.	
107.5174	CD 40174	HEX D-FLIP FLOP	

art.nr.	typenr.	omschrijving	brutoprijs in fl.
107.5175	CD 40175	QUAD D-FLIP FLOP	
107.5181	CD 40181	4 BIT ARITHMETIC LOGIC UNIT	
107.5182	CD 40182	LOOK AHEAD CARRY GENER.	
107.5192	CD 40192	4 BIT DEC. UP/DOWN COUNTER	
107.5193	CD 40193	4 BIT BIN. UP/DOWN COUNTER	
107.5194	CD 40194	4 BIT BID SHIFT REGISTER	
107.5195	CD 40195	4 BIT SHIFT REGISTER	
107.5208	CD 40208	4 X 4 MULTIPOINT REGISTER	
107.5240	CD 40240	OCTAL BUFFERS	
107.5244	CD 40244	OCTAL BUFFERS TREE STATE	
107.5245	CD 40245	OCTAL BUS TRANSCEIVER T.S.	
107.5257	CD 40257	QUAD 2 TO 1 LINE SELECTOR	
107.5373	CD 40373	OCTAL TRANSPARENT LATCH T.S.	
107.5374	CD 40374	OCT D-TYPE FLIP FLOP T.S.	

¹= Artikel niet meer in productie; slecht of niet meer leverbaar.



Het kan voorkomen dat om redenen van uitverkocht, tijdelijk niet leverbaar e.d. sommige artikelen niet in voorraad zijn. Wij kunnen dan eenzelfde component van een ander fabrikant leveren. Hierdoor zijn geringe afwijkingen in specificaties, maatvoering en prijs mogelijk.

Statische Rams

art.nr.	typenr.	omschrijving	behuizing	brutoprijs in fl.
110.1040	2112 ¹	256k x 4 SRAM	DIL 16	
110.1050	2114-L ¹	1K X 4 SRAM	DIL 18	
110.1103	6164-25nS ¹	8K X 8 CACHE SRAM 25nS	DIL 28s	
110.1106	UM6164K1 ²	8K X 8 CACHE SRAM 12nS	DIL 28s	
110.1110	UM61256K12 ²	32K X 8 CACHE SRAM 12nS	DIL 28s	
110.1111	UM61256K15 ²	32K X 8 CACHE SRAM 15nS	DIL 28s	
110.1112	UM61M256K15 ²	32K X 8 CACHE SRAM 15nS 3,3/5 V	DIL 28s	
110.1120	UM61512K15 ²	64K X 8 CACHE SRAM 15nS	DIL 32s	
110.1121	UM61M512K15 ²	64K X 8 CACHE SRAM 15nS 3,3/5 V	DIL 32s	
110.1130	UM611024K15 ²	128K X 8 CACHE SRAM 15nS	DIL 32s	
110.1200	6116-120nS ¹	2K X 8 SRAM 120nS	DIL 24	
110.1201	UM6116L3-90nS ¹	2K X 8 SRAM 90nS	DIL 24	
110.1202	UM6116L2-120nS ¹	2K X 8 SRAM 120nS	DIL 24	
110.1205	6116LP10	2K X 8 SRAM 100nS	DIL 24	
110.1220	UM6264LLP55 ²	8K X 8 SRAM 55nS	DIL 28	
110.1221	UM6264LLP07 ²	8K X 8 SRAM 70nS	DIL 28	
110.1230	UM62256LLP55 ²	32K X 8 SRAM 55nS	DIL 28	
110.1231	UM62256LLP07 ²	32K X 8 SRAM 70nS	DIL 28	
110.1240	UM621024LLP55 ²	128K X 8 SRAM 55nS	DIL 32	
110.1241	UM621024LLP07 ²	128K X 8 SRAM 70nS	DIL 32	
110.1355	628128-70nS	128K X 8 SRAM 70nS	DIL 32	
110.1360	628512LP05 ²	512K X 8 SRAM 50nS	DIL 32	
110.1361	628512LP07 ²	512K X 8 SRAM 70nS	DIL 32	

Dynamische Rams

art.nr.	typenr.	omschrijving	behuizing	brutoprijs in fl.
110.1080	TMS4116 ¹	16K X 1 DRAM	DIL 16	
110.1090	4164-120nS ¹	64K X 1 DRAM 120nS	DIL 16	
110.1091	4164-100nS ¹	64K X 1 DRAM 100nS	DIL 16	
110.1092	4164-150nS ¹	64K X 1 DRAM 150nS	DIL 16	
110.1101	TMS4416-150nS ¹			

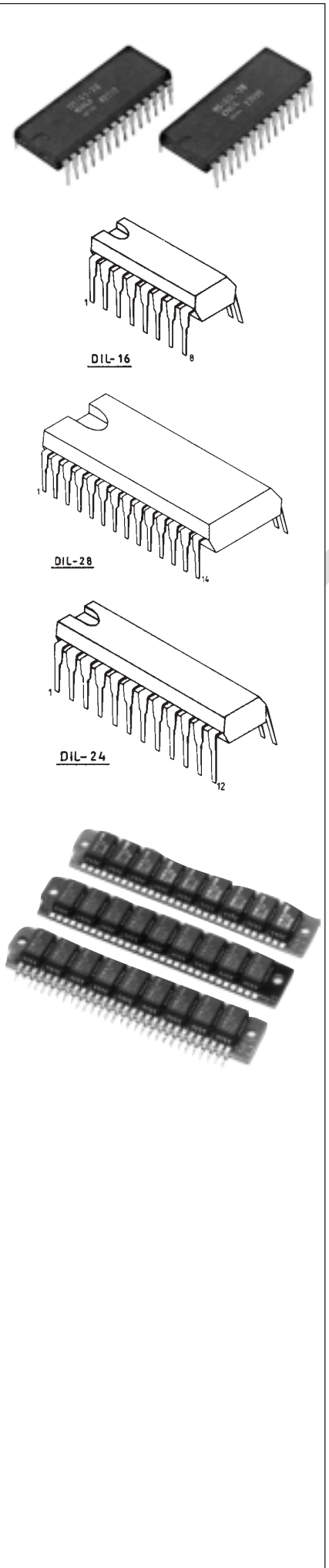
Geheugen Modules

art.nr.	omschrijving	brutoprijs in fl.
110.1373	SIMM 1MB	30-PINS
110.1400	SIPPI	256KX9-80nS SIP
110.1401	256KX9-100nS ¹	SIP
110.1402	256KX9-120nS ¹	SIP
110.1405	256KX9 - 120nS SIM PAGE SLOT	
110.1406	256KX9 - 80nS SIM PAGE SLOT	
110.1407	256X9-70nS SIP ¹	
110.1470P	SIMM 256K/70nS	(256KX9) 30 PINS PARITY
110.1471	SIMM 1MB/70nS	(1MX8) 30 PINS
110.1471P	SIMM 1MB/70nS	(1MX9) 30 PINS PARITY
110.1473	SIMM 4MB/70nS	(4MX8) 30 PINS
110.1473P	SIMM 4MB/70nS	(4MX9) 30 PINS PARITY
110.1474P	SIMM 16MB/70nS	(16MX9) 30 PINS PARITY
110.1475	SIMM 1MB/70nS	(256KX32) 72 PINS
110.1475P	SIMM 1MB/70nS	(256KX36) 72 PINS PARITY
110.1476P	SIMM 2MB/70nS	(512KX36) 72 PINS PARITY
110.1477	SIMM 4MB/70nS	(1MX32) 72 PINS
110.1477E	SIMM 4MB/60nS	(1MX32) 72 PINS EDO
110.1477F	SIMM 4MB/60nS	(1MX32) 72 PINS FAST PAGE
110.1477P	SIMM 4MB/70nS	(1MX36) 72 PINS PARITY
110.1478	SIMM 8MB/70nS	(2MX32) 72 PINS
110.1478E	SIMM 8MB/60nS	(2MX32) 72 PINS EDO
110.1478F	SIMM 8MB/60nS	(2MX32) 72 PINS FAST PAGE
110.1478P	SIMM 8MB/70nS	(2MX36) 72 PINS PARITY
110.1479	SIMM 16MB/70nS	(4MX32) 72 PINS
110.1479E	SIMM 16MB/60nS	(4MX32) 72 PINS EDO
110.1479F	SIMM 16MB/60nS	(4MX32) 72 PINS FAST PAGE
110.1479P	SIMM 16MB/70nS	(4MX36) 72 PINS PARITY
110.1480	SIMM 32MB/70nS	(8MX32) 72 PINS
110.1480E	SIMM 32MB/70nS	(8MX32) 72 PINS EDO
110.1480F	SIMM 32MB/70nS	(8MX32) 72 PINS FAST PAGE
110.1480P	SIMM 32MB/70nS	(8MX36) 72 PINS PARITY
110.1481P	SIMM 64MB/70nS	(16MX36) 72 PINS PARITY
110.1500	256KX36-80nS SIM PS/2 MODULE	
110.1550	512KX36-80nS SIM PS/2 MODULE	
110.1600	DIMM 16MB/12nS	(2X64) 168 PINS ²
110.1610	DIMM 32MB/10nS	(4X64) 168 PINS ²
110.1620	DIMM 64MB/10nS	(8X64) 168 PINS ²
110.1630	DIMM 128MB/10nS	(16X64) 168 PINS ²

¹ Slecht leverbaar / niet meer in productie.

² Nieuw in programma.

³ Toevoeging s = smal dil (300 mils).



PLD's / EPROMS / geheugen IC's

Programmeerbare Logica

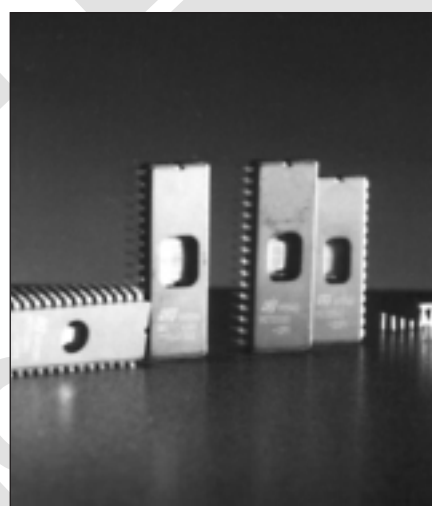
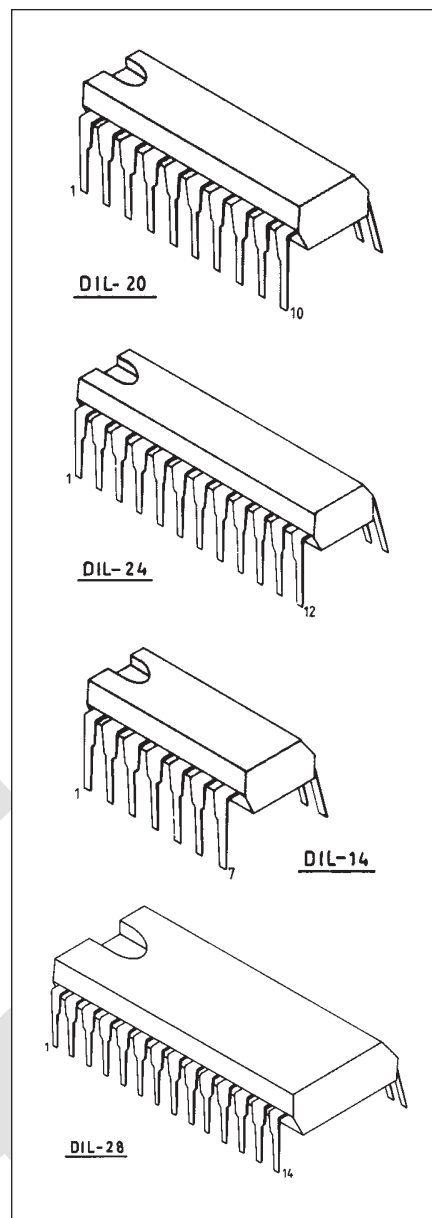
art.nr.	typenr.	omschrijving	behuizing	brutoprijs in fl.
111.1010	PAL 16L8A ¹	PROGRAMMABLE ARRAY LOGIC	DIL 20	
111.1011	PAL 16L8B ¹	PROGRAMMABLE ARRAY LOGIC	DIL 20	
111.1012	PAL 16P8A ¹	PROGRAMMABLE ARRAY LOGIC	DIL 20	
111.1014	PAL 16R4A ¹	PROGRAMMABLE ARRAY LOGIC	DIL 20	
111.1018	PAL 16R8A ¹	PROGRAMMABLE ARRAY LOGIC	DIL 20	
111.1023	PAL 16R6B ¹	PROGRAMMABLE ARRAY LOGIC	DIL 20	
111.1024	PAL 16RP8A ¹	PROGRAMMABLE ARRAY LOGIC	DIL 20	
111.1026	PAL 16L8A2 ¹	PROGRAMMABLE ARRAY LOGIC	DIL 20	
111.1050	PAL 20L8A ¹	PROGRAMMABLE ARRAY LOGIC	DIL 24	
111.1051	PAL 20L8B ¹	PROGRAMMABLE ARRAY LOGIC	DIL 24	
111.1052	PAL 20L10 ¹	PROGRAMMABLE ARRAY LOGIC	DIL 24	
111.1080	GAL 16V8-25L	GATED ARRAY LOGIC	DIL 20	
111.1081	GAL 16V8-25Q	GATED ARRAY LOGIC	DIL 20	
111.1085	GAL 20V8-25L	GATED ARRAY LOGIC	DIL 24	
111.1086	GAL 20V8-25Q	GATED ARRAY LOGIC	DIL 24	
111.1090	82S100=PLS 100	PROGRAMMABLE READ ONLY MEM.	DIL 24	
111.1100	PAL 16L8A	PROGRAMMABLE ARRAY LOGIC	DIL 20	
111.1110	82S123N	PROGRAMMABLE READ ONLY MEM.	DIL 20	
111.1115	82S126	PROGRAMMABLE READ ONLY MEM.	DIL 20	
111.1120	82S129	PROGRAMMABLE READ ONLY MEM.	DIL 20	
111.1130	GAL 16V8-10L	GATED ARRAY LOGIC	DIL 20	
111.1131	GAL 16V8-12L	GATED ARRAY LOGIC	DIL 20	
111.1132	GAL 16V8-15L	GATED ARRAY LOGIC	DIL 20	
111.1074	GAL 16V8-15Q	GATED ARRAY LOGIC	DIL 20	
111.1133	GAL 20V8-10L	GATED ARRAY LOGIC	DIL 24	
111.1134	GAL 20V8-15L	GATED ARRAY LOGIC	DIL 24	
111.1136	GAL 22V10-10L	GATED ARRAY LOGIC	DIL 24	
111.1137	GAL 22V10-15L	GATED ARRAY LOGIC	DIL 24	
111.1138	GAL 22V10-25L	GATED ARRAY LOGIC	DIL 24	

UV Eproms en UV CMOS EPROMS

art.nr.	typenr.	omschrijving	behuizing	brutoprijs in fl.
111.1200	1400 ¹	ELECTR. ERASABLE ROM	DIL 14	
111.1300	1702-450 ¹	EPROM 256 X 8 V _{pp} 25V	DIL 24	
111.1302	(46)2532G-450 ¹	EPROM 4K X 8	DIL 24	
111.1310	2708 ¹	1K X 8 V _{pp} 25V	DIL 24	
111.1319	27C16-450 ¹	2K X 8K V _{pp} 12,5V	DIL 24	
111.1321	2716-350	2K X 8 V _{pp} 25V	DIL 24	
111.1329	2732A-450 ¹	4K X 8 V _{pp} 21V	DIL 24	
111.1330	2732 ¹	4K X 8 V _{pp} 25 V	DIL 24	
111.1331	2732A-250	4K X 8 V _{pp} 21 V	DIL 24	
111.1336	2764-400 ¹	8K X 8 V _{pp} 12,5 V	DIL 24	
111.1337	2764C-400 ¹	8K X 8 V _{pp} 12,5 V	DIL 24	
111.1338	2764D-400 ¹	8K X 8 V _{pp} 12,5 V	DIL 24	
111.1339	2764-250 ¹	8K X 8 (5 VOLT)	DIL 24	
111.133A	2764K	21 VOLT USED TYPE	DIL 24	
111.1340	2764-250 ¹	8K X 8 V _{pp} 21 V	DIL 24	
111.1341	2764A-250 ¹	8K X 8 V _{pp} 12,5 V	DIL 24	
111.1342	27C64-200 ¹	8K X 8 V _{pp} 12,5 V	DIL 24	
111.1343	27C64-150	8K X 8 V _{pp} 12,5 V	DIL 24	
111.1349	27128-200 ¹	16K X 8 V _{pp} 21 V	DIL 28	
111.1350	27128-250 ¹	16K X 8 V _{pp} 21 V	DIL 28	
111.1351	27128A-250	16K X 8 V _{pp} 12,5 V	DIL 28	
111.1352	27C128-250 ¹	16K X 8 V _{pp} 12,5 V	DIL 28	
111.1353	27C128-200 ¹	16K X 8 V _{pp} 12,5 V	DIL 28	
111.1354	27C128-150 ¹	16K X 8 V _{pp} 12,5 V	DIL 28	
111.1355	27C128-120	16K X 8 V _{pp} 12,5 V	DIL 28	
111.1360	27256-250 ¹	32K X 8 V _{pp} 12,5 V	DIL 28	
111.1361	27256-200	32K X 8 V _{pp} 12,5 V	DIL 28	
111.1362	27C256-200 ¹	32K X 8 V _{pp} 12,5 V	DIL 28	
111.1363	27C256-100	32K X 8 V _{pp} 12,5 V	DIL 28	
111.1364	27C256-120 ¹	32K X 8 V _{pp} 12,5 V	DIL 28	
111.1365	27C256-70	32K X 8 V _{pp} 12,5 V	DIL 28	
111.1840	87C257-12	CMOS-EPROM 32K X 8 LATCHED	DIL 28	
111.1370	27512-250	64K X 8 V _{pp} 12,5 V	DIL 28	
111.1371	27C512-200 ¹	64K X 8 V _{pp} 12,5 V	DIL 28	
111.1373	27C512-150 ¹	64K X 8 V _{pp} 12,5 V	DIL 28	
111.1374	27C512-120 ¹	64K X 8 V _{pp} 12,5 V	DIL 28	
111.1375	27C512-100	64K X 8 V _{pp} 12,5 V	DIL 28	

¹ Slecht leverbaar / niet meer in productie.

² Nieuw in programma.



UV EEPROMS en UV CMOS EPROMS (vervolg)

art.nr.	typenr.	omschrijving	behuizing	brutoprijs in fl.
111.1376	27C512-80	64K X 8 Vpp 12,5 V	DIL 28	
111.1380	27C1000-150I	128K X 8 Vpp 12,5 V	DIL 32	
111.1381	27C010-120I	128K X 8 Vpp 12,5 V	DIL 32	
111.1382	27C010-100	128K X 8 Vpp 12,5 V	DIL 32	
111.1383	27C010-70	128K X 8 Vpp 12,5 V	DIL 32	
111.1385	27C1024-150I	64K X 16 Vpp 12,5 V	DIL 40	
111.1385A	27C1024-120I	64K X 16 Vpp 12,5 V	DIL 40	
111.1385B	27C1024-100	64K X 16 Vpp 12,5 V	DIL 40	
111.1387	27C2048-120	128K X 16 Vpp 12,5 V	DIL 40	
111.1390	27C020-100	256K X 8 Vpp 12,5 V	DIL 32	
111.1400	27C040-150I	512K X 8 Vpp 12,5 V	DIL 32	
111.1401	27C040-100	512K X 8 Vpp 12,5 V	DIL 32	
111.1402	27C040-80	512K X 8 Vpp 12,5 V	DIL 32	
111.1409	27C042-150I	256K X 16 Vpp 12,5 V	DIL 32	
111.1410	27C042-100nS	256K X 16 Vpp 12,5 V	DIL 32	
111.1420	27C080-100	1M X 8 Vpp 12,5 V	DIL 32	
111.1430	27C160-100	2M X 8 / 1M X 16 Vpp 12,5 V	DIL 40	

Seriële EEPROMS

art.nr.	typenr.	omschrijving	behuizing	brutoprijs in fl.
111.1500	EE93C06CB1	EEPROM SERIEEL 16 X 16/ 32 X 8	DIL 8	
111.1510	EE93C46AB1	EEPROM SERIEEL 64 X 16	DIL 8	
111.1511	EE93LC46A/P2	EEPROM SERIEEL 128 X 8 2,5V.	DIL 8	
111.1512	EE93LC46B/P2	EEPROM SERIEEL 64 X 16 2,5V.	DIL 8	
111.1520	EE93C56B1	EEPROM SERIEEL 256 X 8/ 128 X 16	DIL 8	
111.1530	EE93C66B1	EEPROM SERIEEL 512 X 8/ 256 X 16	DIL 8	
111.1700	EE24C01B1	EEPROM SERIEEL 128 X 8	DIL 8	
111.1701	EE24LC01B/P2	EEPROM SERIEEL 128 X 8 2,5V.	DIL 8	
111.1705	EE24C02CB1	EEPROM SERIEEL 256 X 8	DIL 8	
111.1706	EE24LC02B/P2	EEPROM SERIEEL 256 X 8 2,5V.	DIL 8	
111.1710	EE24C04B1	EEPROM SERIEEL 512 X 8	DIL 8	
111.1711	EE24LC04B/P2	EEPROM SERIEEL 2 X 256 X 8 2,5V.	DIL 8	
111.1720	EE24C08B1	EEPROM SERIEEL 1K X 8	DIL 8	
111.1730	EE24C16CB1	EEPROM SERIEEL 2K X 8	DIL 8	
111.1731	EE24LC16B/P2	EEPROM SERIEEL 8 X 256 X 8 2,5V.	DIL 8	
111.1735	EE24LC32B/P2	EEPROM SERIEEL 32K 2,5V.	DIL 8	
111.1740	EE25C02CB1	EEPROM SERIEEL 256 X 8	DIL 8	
111.1750	EE24LC652	EEPROM SERIEEL 64K 2,5V.	DIL 8	
111.1751	EE24AA65/P2	EEPROM SERIEEL 64K 1,8V.	DIL 8	

Parallele EEPROMS

art.nr.	typenr.	omschrijving	behuizing	brutoprijs in fl.
111.1800	EE28C16-150	EEPROM 2K X 8 CMOS	DIL 28	
111.1805	EE28C17-150	EEPROM 2K X 8 CMOS	DIL 28	
111.1810	EE28C64-150	EEPROM 8K X 8 CMOS	DIL 28	
111.1812	EE28C256-150	EEPROM 32KX8 CMOS	DIL 28	
111.1815	P28F256-120nS	C-FLASH EPROM 32K X 8	DIL 32	
111.1816	P28F512-150nS	C-FLASH EPROM 64K X 8	DIL 32	
111.1817	28F512-150nS	C-FLASH EPROM 64K X 8	DIL 32	
111.1818	28F010-120nS	C-FLASH EPROM 128K X 8	DIL 32	
111.1819	28F020-150nS	C-FLASH EPROM 256K X 8	DIL 32	
111.1820	29F256-250nS	C-FLASH EEPROM 32K X 8	DIL 28	
111.1830	29F010	C-FLASH EEPROM 128K X 8	DIL 32	
111.1825	29F040	C-FLASH EEPROM 512K X 8	DIL 32	
111.1850	P87C592EFA			
111.1856	AT 29C256-12PC	CMOS-FLASH EPROM 32K X 8 120nS	DIL 28	
111.1858	AT 29C512-512PC	CMOS-FLASH EPROM 64K X 8 120nS	DIL 32	
111.1950	AT 29C010-12PC	CMOS-FLASH EPROM 128K X 8 120nS	DIL 32	
111.1955	AT 29C020-12PC	CMOS-FLASH EPROM 256K X 8 120nS	DIL 32	
111.1958	AT 29C040-12PC	CMOS-FLASH EPROM 512K X 8 120nS	DIL 32	

